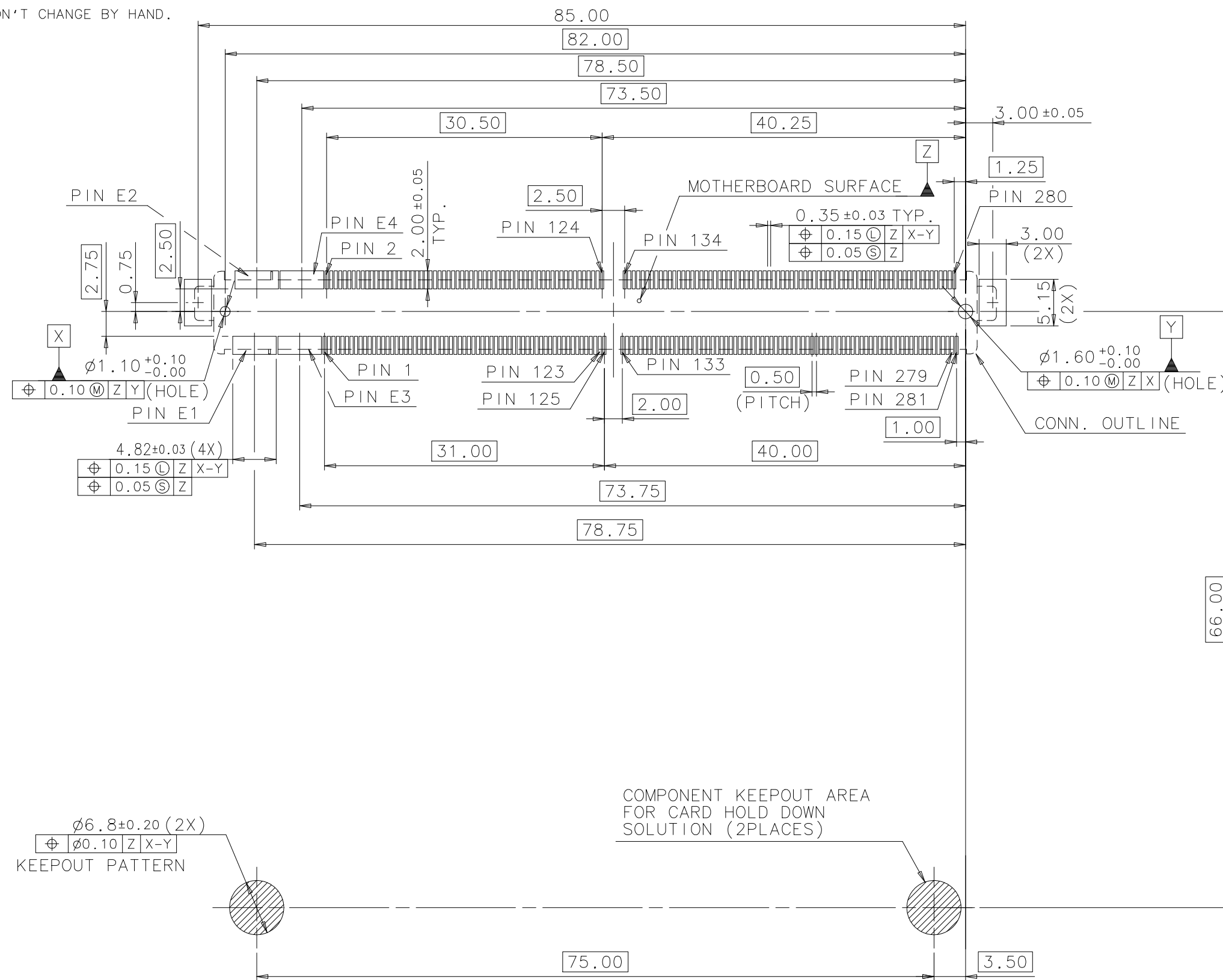


IDEAS GENERATED DRAWING, DON'T CHANGE BY HAND.

REV.	ECN. NO.	APPD.



COMPONENT KEEPOUT AREA
FOR CARD HOLD DOWN
SOLUTION (2PLACES)

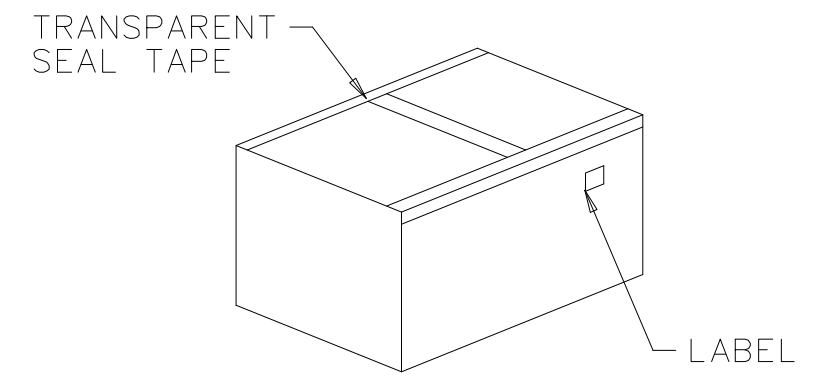
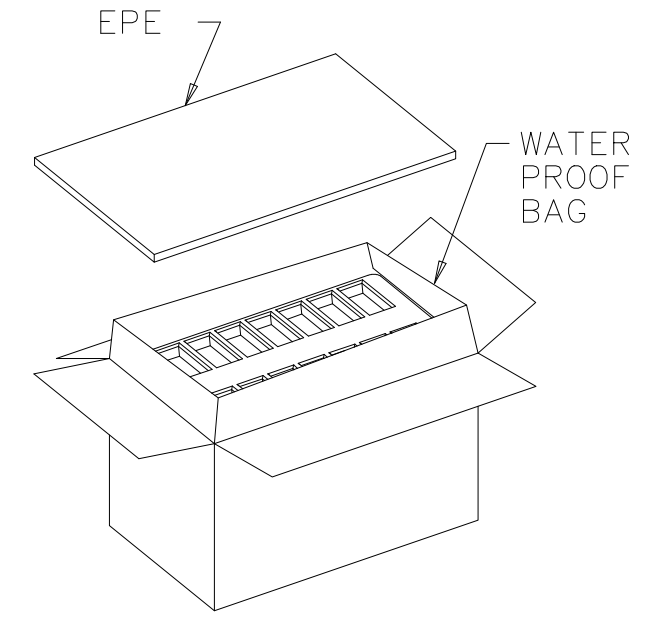
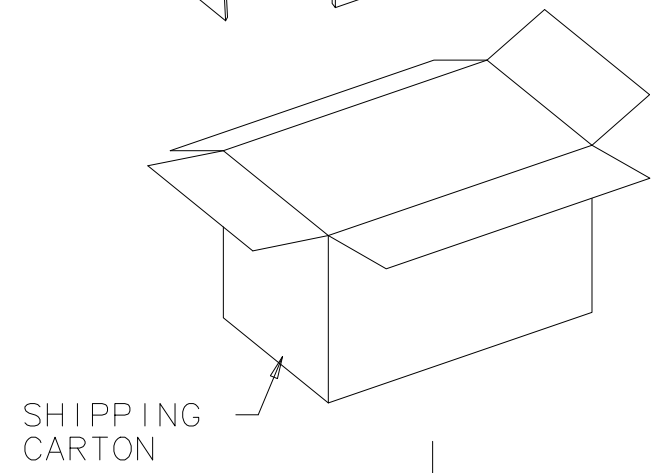
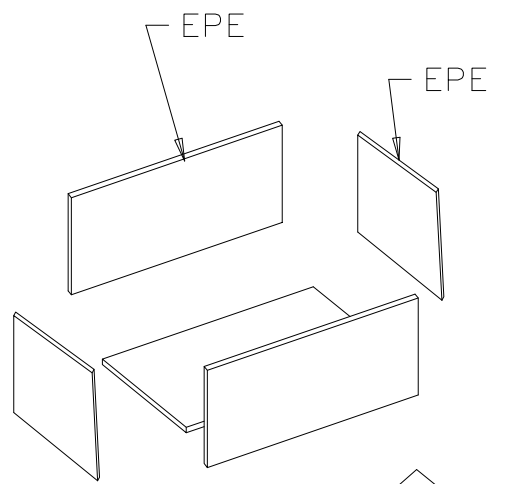
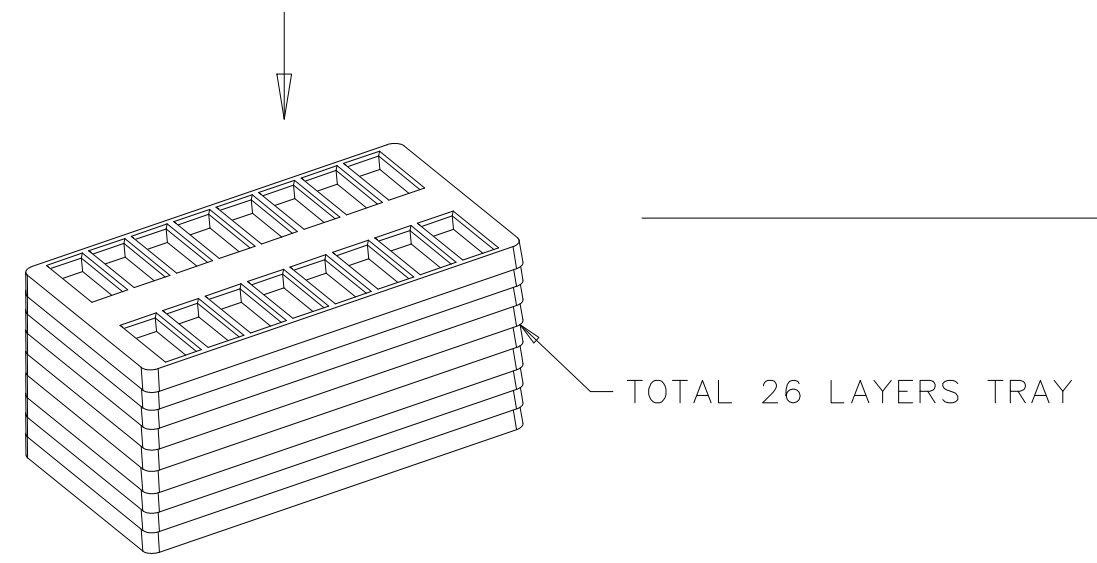
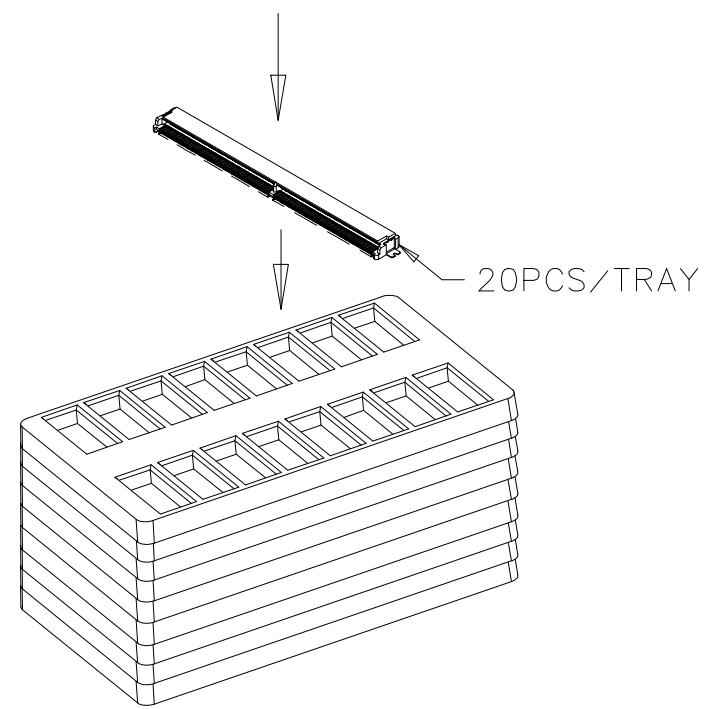
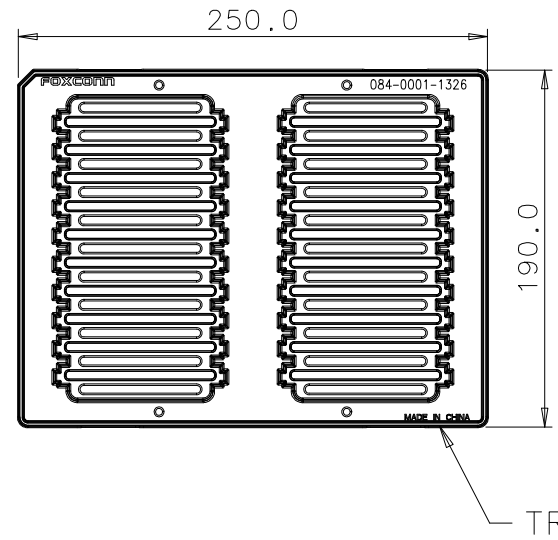
$\phi 6.8 \pm 0.20$ (2X)
 $\phi 1.10 \pm 0.10$ (HOLE)
KEEPOUT PATTERN

RECOMMENDED PCB LAYOUT

X. ±	X°. ±	UNITS mm	NAME (INTENDED USE)	FOXCONN HON HAI PRECISION IND. CO., LTD. TAIPEI, TAIWAN, R.O.C.
.X ± 0.10	.X° ±	MAT'L	MXM 3.0 CONNECTOR	
.XX ± 0.05	.XX°	FINISH	PART NO. (INTENDED USE)	TITLE:
.XXX ±	.XXX° ±		AS0B82*-S78*-*H	CUSTOMER DRAWING
THESE DRAWINGS AND SPECIFICATIONS ARE THE PROPERTY OF HON HAI PRECISION IND. CO., LTD. AND SHALL NOT BE REPRODUCED COPIED OR USED IN ANY MANNER WITHOUT THE PRIOR WRITTEN CONSENT OF HON HAI PRECISION IND. CO., LTD.			APPD:	DWG NO.:
			Herry Yang	317-0000-1969
			CHKD:	SCALE SHEET REV.
			Alex Wong	N/A 2/4 B
			DR: FL LIU 9/01'10	

IDEAS GENERATED DRAWING, DON'T CHANGE BY HAND.

REV.	ECN. NO.	APPD.

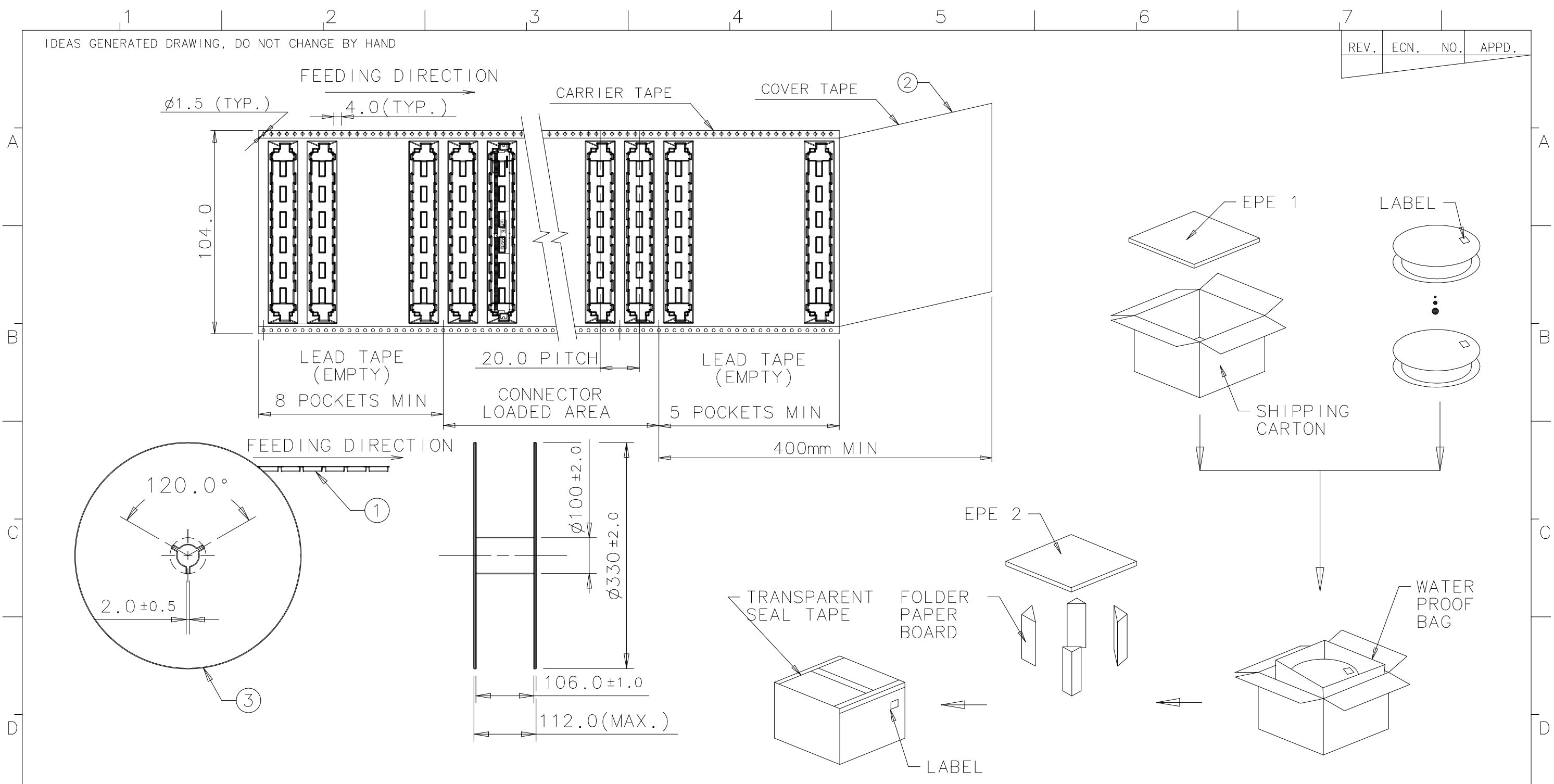


520 PCS	20 PCS	ASOB82*-S78*-1H
QTY/BOX	QTY/TRAY	CONNECTOR P/N

X. ±	X°. ±	UNITS mm	NAME (INTENDED USE) MXM 3.0 CONNECTOR	FOXCONN HON HAI PRECISION IND. CO., LTD. TAIPEI, TAIWAN, R.O.C.
.X ± 1.0	.X° ±			
.XX ± 0.50	.XX°	FINISH	PART NO. (INTENDED USE) ASOB82*-S78*-*H	TITLE: CUSTOMER DRAWING
.XXX ±	.XXX° ±		Q'TY	APPD: Herry Yang
THESE DRAWINGS AND SPECIFICATIONS ARE THE PROPERTY OF HON HAI PRECISION IND. CO., LTD. AND SHALL NOT BE REPRODUCED COPIED OR USED IN ANY MANNER WITHOUT THE PRIOR WRITTEN CONSENT OF HON HAI PRECISION IND. CO., LTD.			CHKD: Alex Wong	SCALE SHEET REV. N/A 3/4 B
			DR: FL LIU 9/01'10	

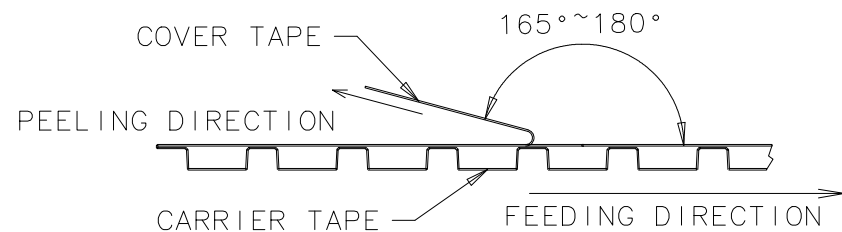
IDEAS GENERATED DRAWING, DO NOT CHANGE BY HAND

REV.	ECN.	NO.	APPD.



NOTES:

- 10 POCKETS HOLE PITCH CUMULATIVE TOLERANCE $\pm 0.20\text{mm}$.
- COVER TAPE PEELING STRENGTH : 0.01Kgf MIN., 0.15 Kgf MAX. AT 300mm/min.



- PACKING CAPACITY : 350 PCS/REEL, 3 REELS/BOX, TOTAL 1050 PCS/BOX.

③	REEL	POLYSTYRENE
②	COVER TAPE	POLYSTER
①	CARRIER TAPE	POLYSTYRENE
ITEM	DESCRIPTION	MATERIAL

X.± 1.0	X°±	UNITS	mm	NAME (INTENDED USE)	FOXCONN HON HAI PRECISION IND. CO., LTD. TAIPEI, TAIWAN, R.O.C.		
.X± 0.50	.X°±	MAT'L		MXM3.0 CONNECTOR			
.XX± 0.20	.XX°±			PART NO. (INTENDED USE)	TITLE:		
.XXX±	.XXX°±	FINISH		AS0B82*-S78*-*H	CUSTOMER DRAWING		
THESE DRAWINGS AND SPECIFICATIONS ARE THE PROPERTY OF HON HAI PRECISION IND. CO., LTD. AND SHALL NOT BE REPRODUCED, COPIED OR USED IN ANY MANNER WITHOUT THE PRIOR WRITTEN CONSENT OF HON HAI PRECISION IND. CO., LTD.				APPD:	Herry Yang	DWG NO.:	317-0000-1969
				CHKD:	Alex Wong		
				DR:	FL LIU 9/01'10		
					SCALE	SHEET	REV.
					N/A	4/4	B

CONNECTOR P/N AS0B82*-S78*-7H