
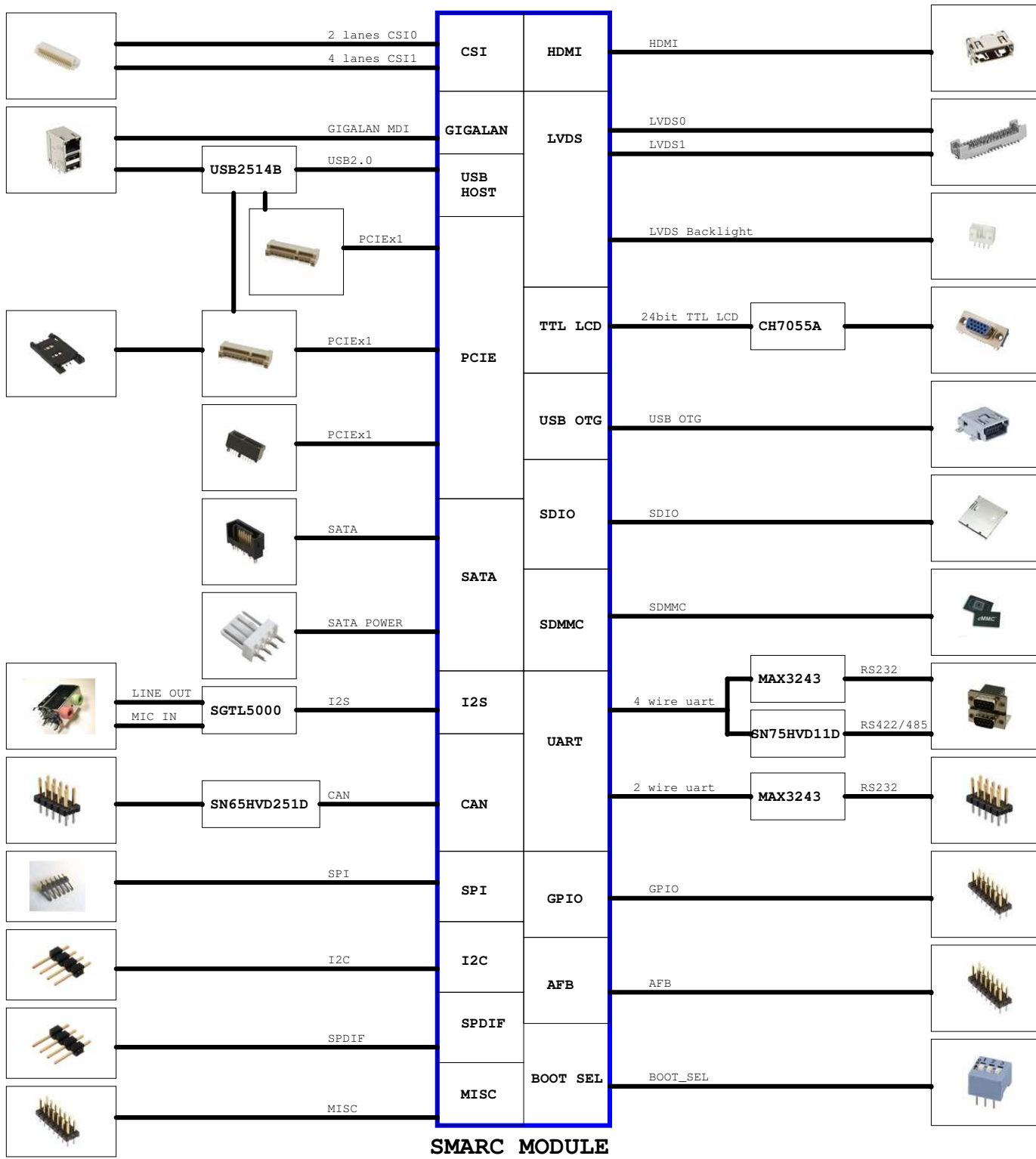
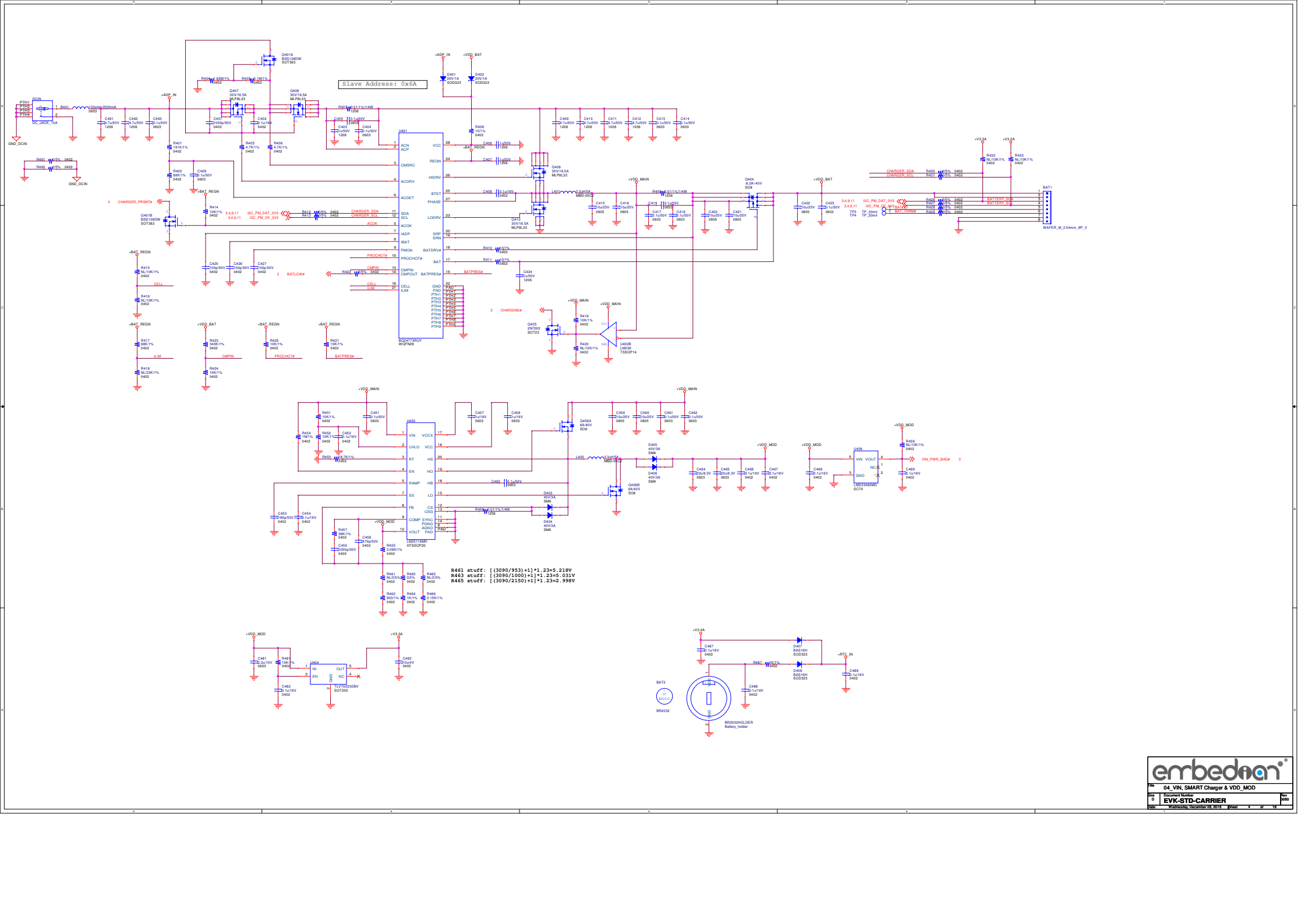


01_COVER_PAGE
02_BLOCK DIAGRAM
03_SMARC MXM3 Connector
04_VIN, SMART Charger & VDD_MOD
05_+V3, +VDD_IO
06_+V5, +V12
07_HDMI, VGA
08_LVDS, Camera
09_PCIE
10_USB, LAN
11_SATA, EMMC, SD and EEPROM
12_I2S, SPDIF and buzzer
13_UART, CAN
14_GPIO, I2C, SPI, AFB
15_MISC, Button
16_HISTORY

		
Title	01_COVER_PAGE	
Size	Document Number	Rev
B	EVK-STD-CARRIER	00B0
Date:	Wednesday, December 28, 2016	Sheet 1 of 16

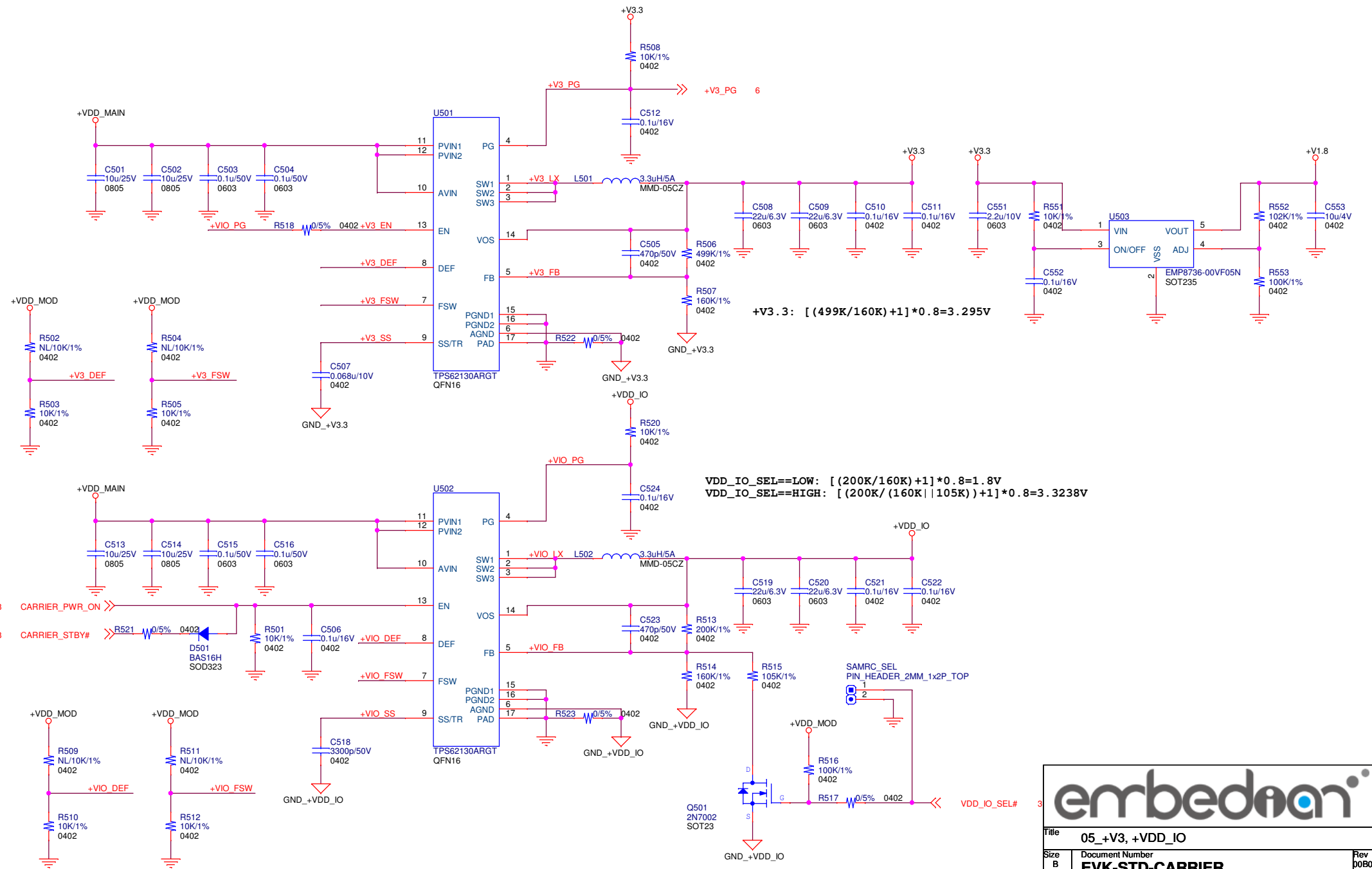


SMARC MODULE

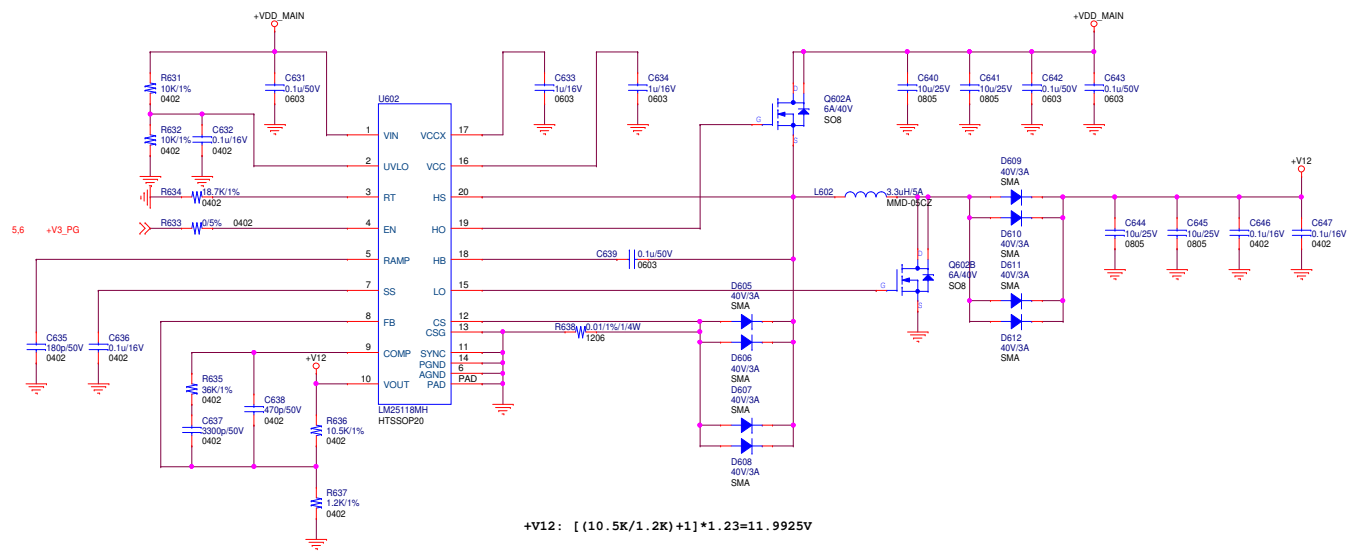
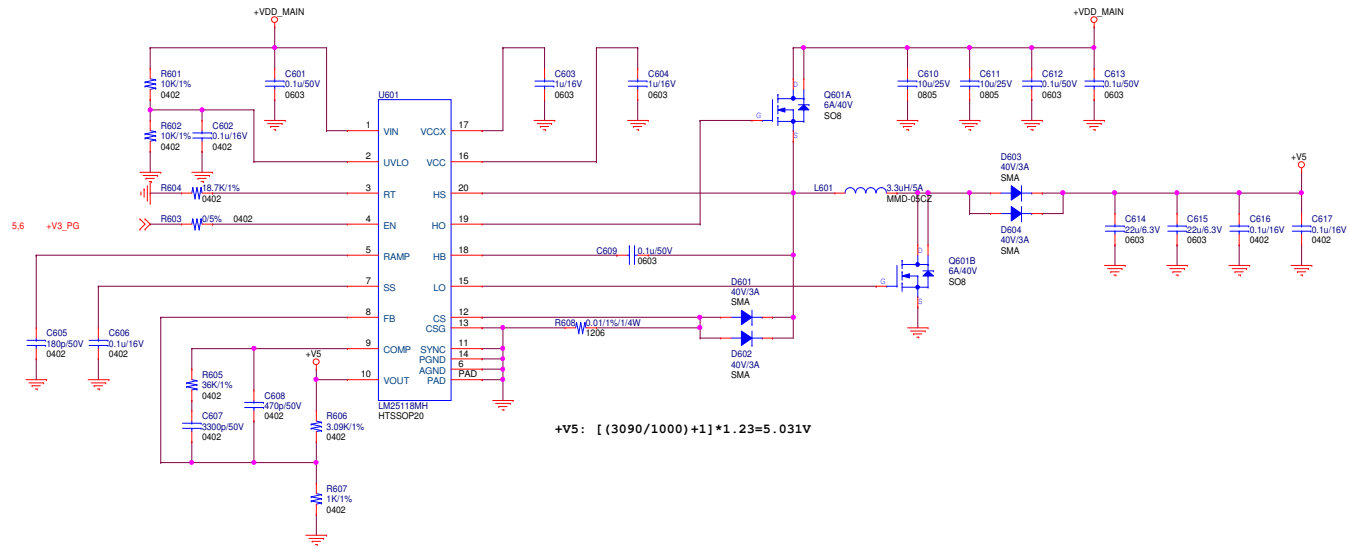


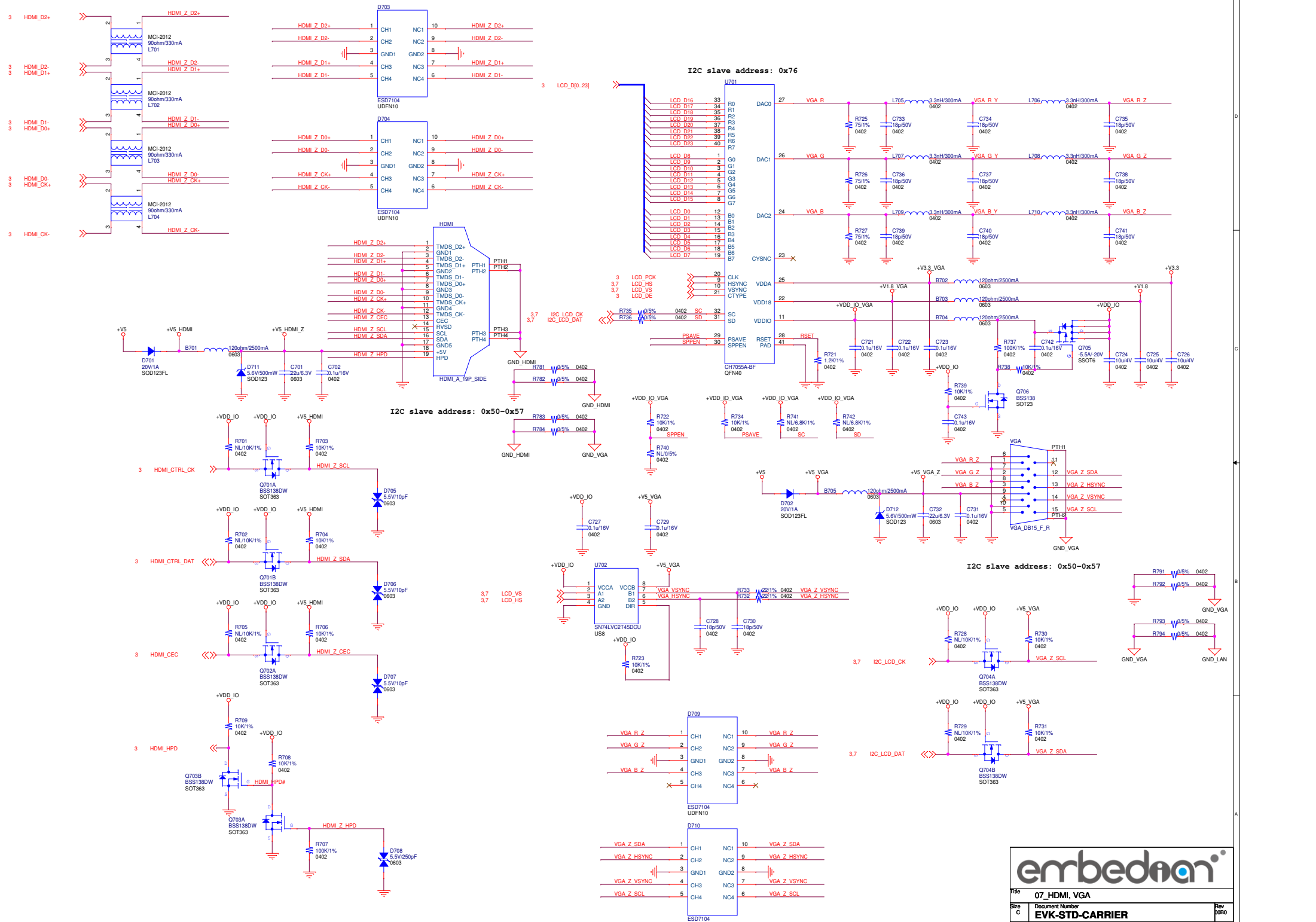
Slave Address: 0x6A

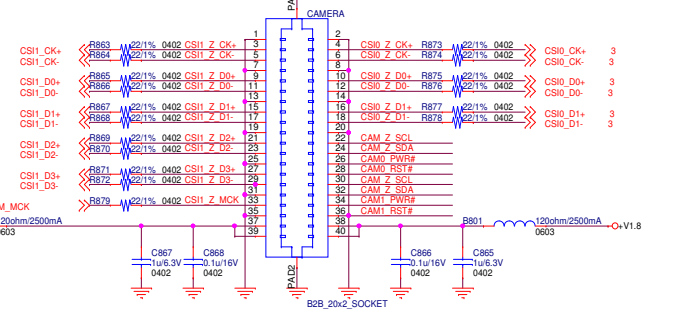
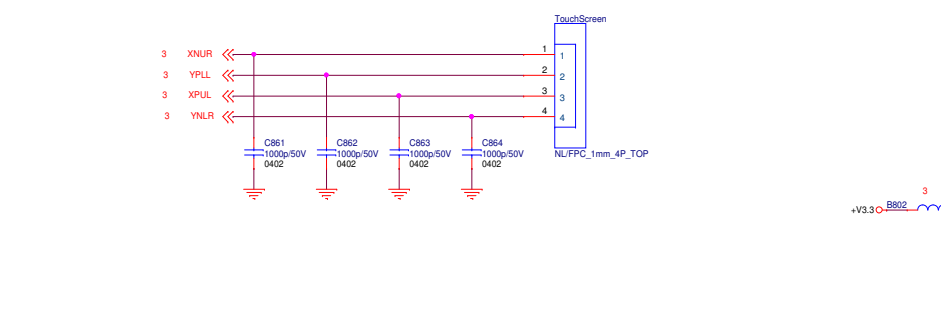
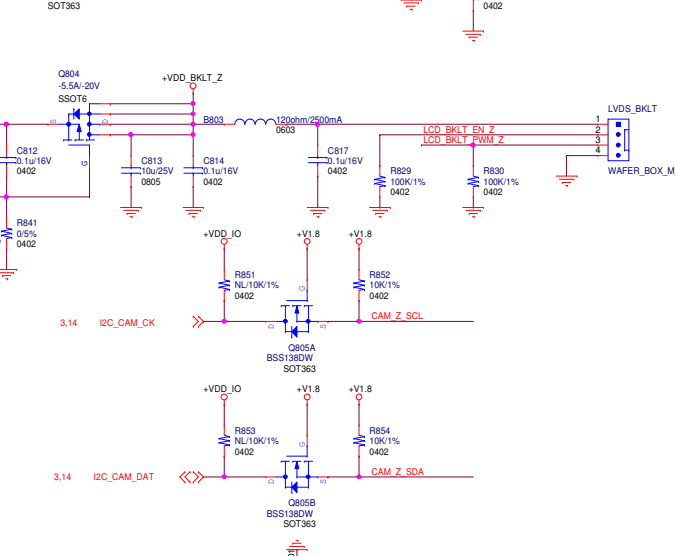
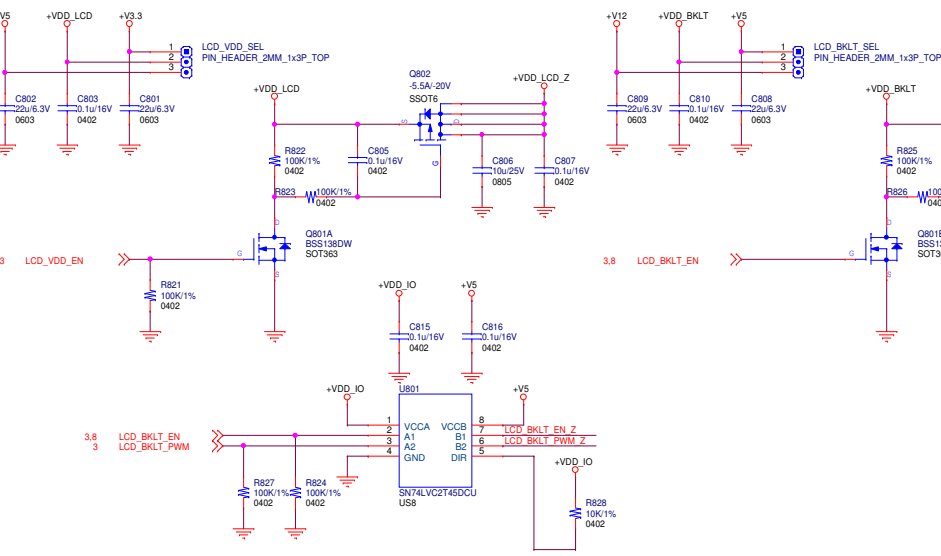
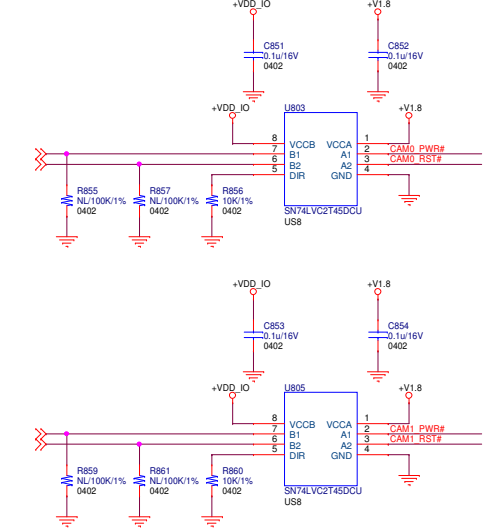
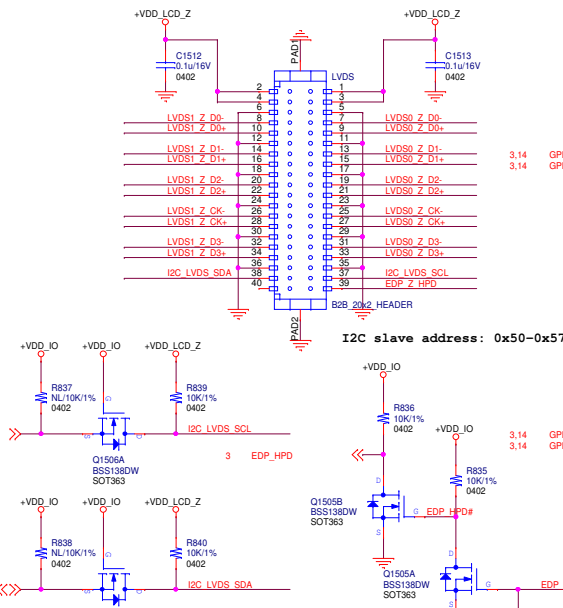
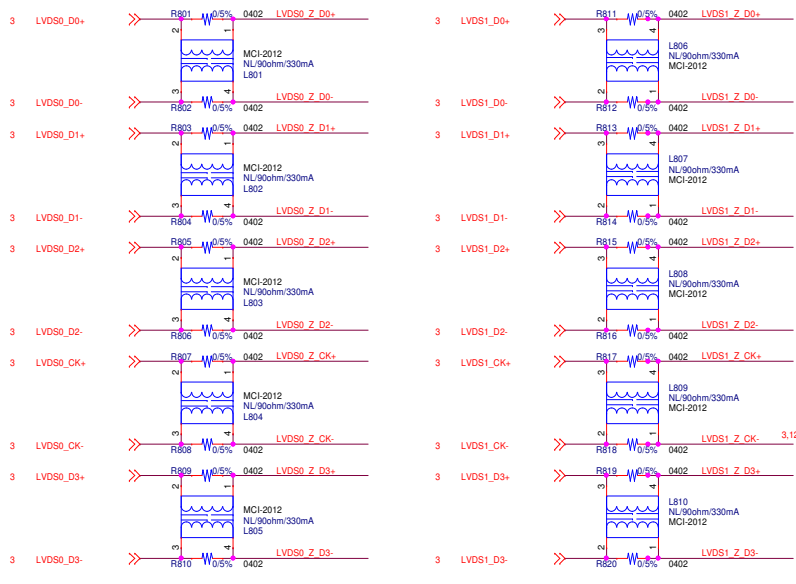
R461 stuf: [(3090/953)+1]*1.23=5.218V
 R463 stuf: [(3090/1000)+1]*1.23=5.031V
 R465 stuf: [(3090/2150)+1]*1.23=5.998V

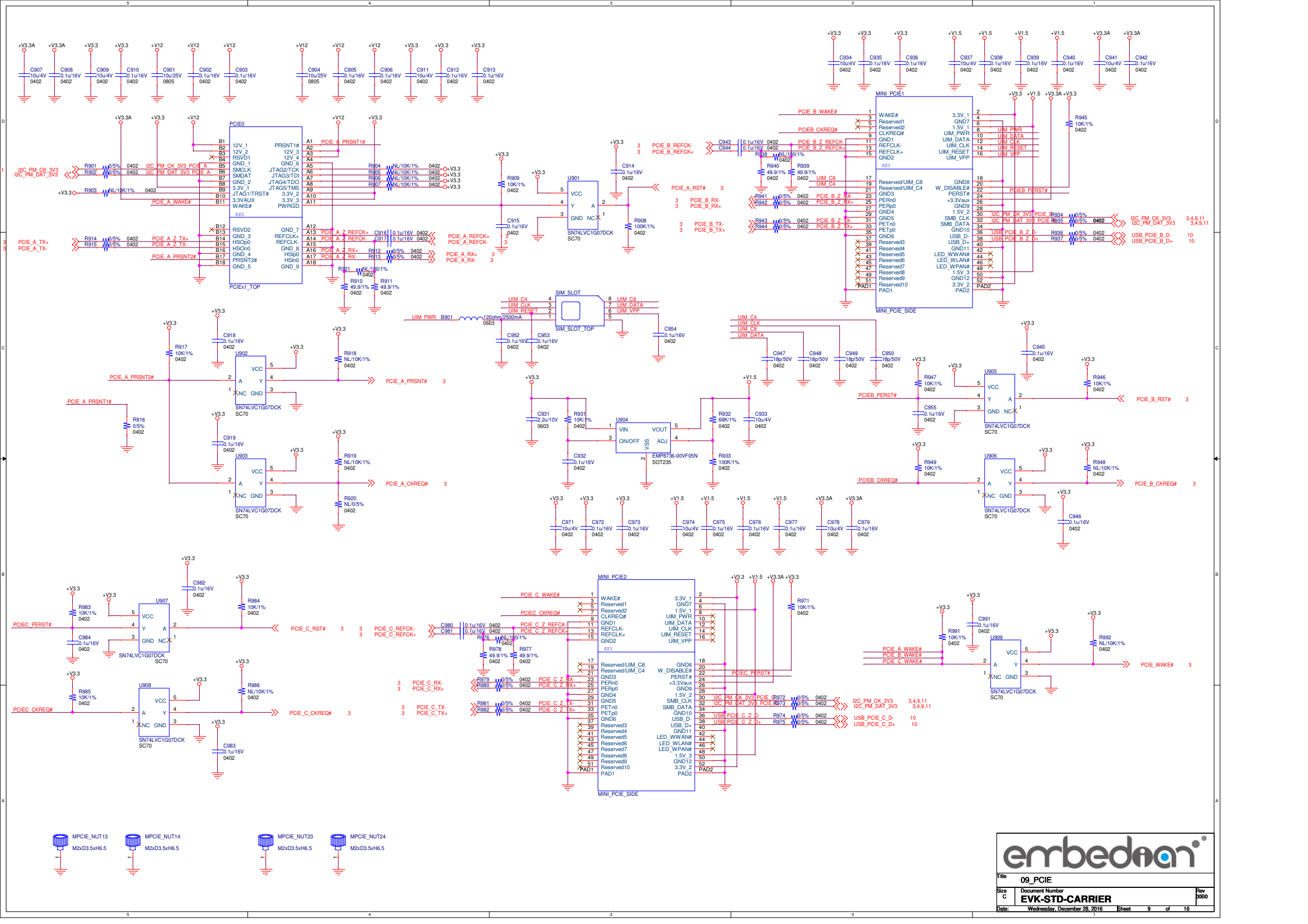


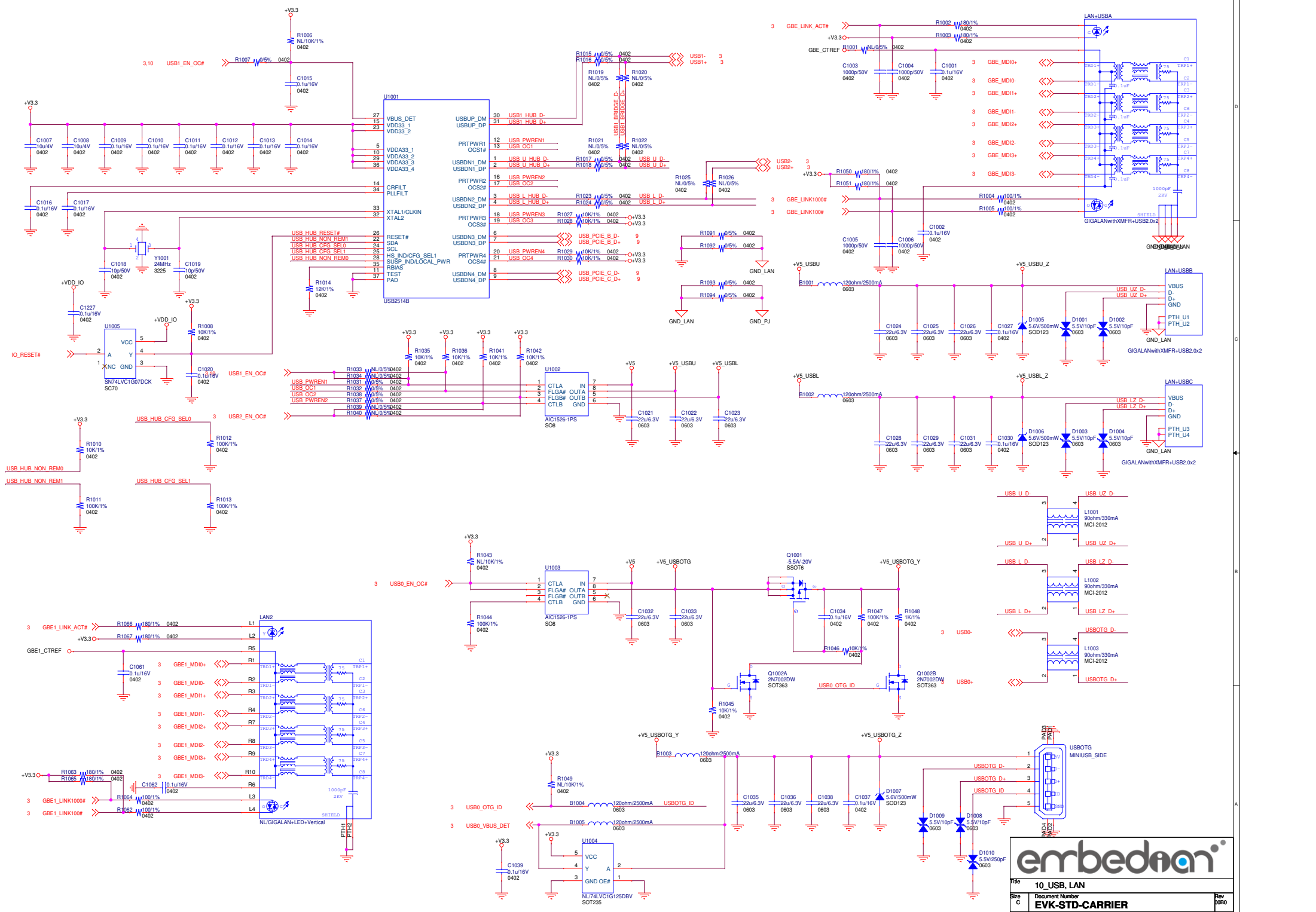
Title		
05_+V3, +VDD_IO		
Size	Document Number	Rev
B	EVK-STD-CARRIER	00B0
Date:	Wednesday, December 28, 2016	Sheet 5 of 16





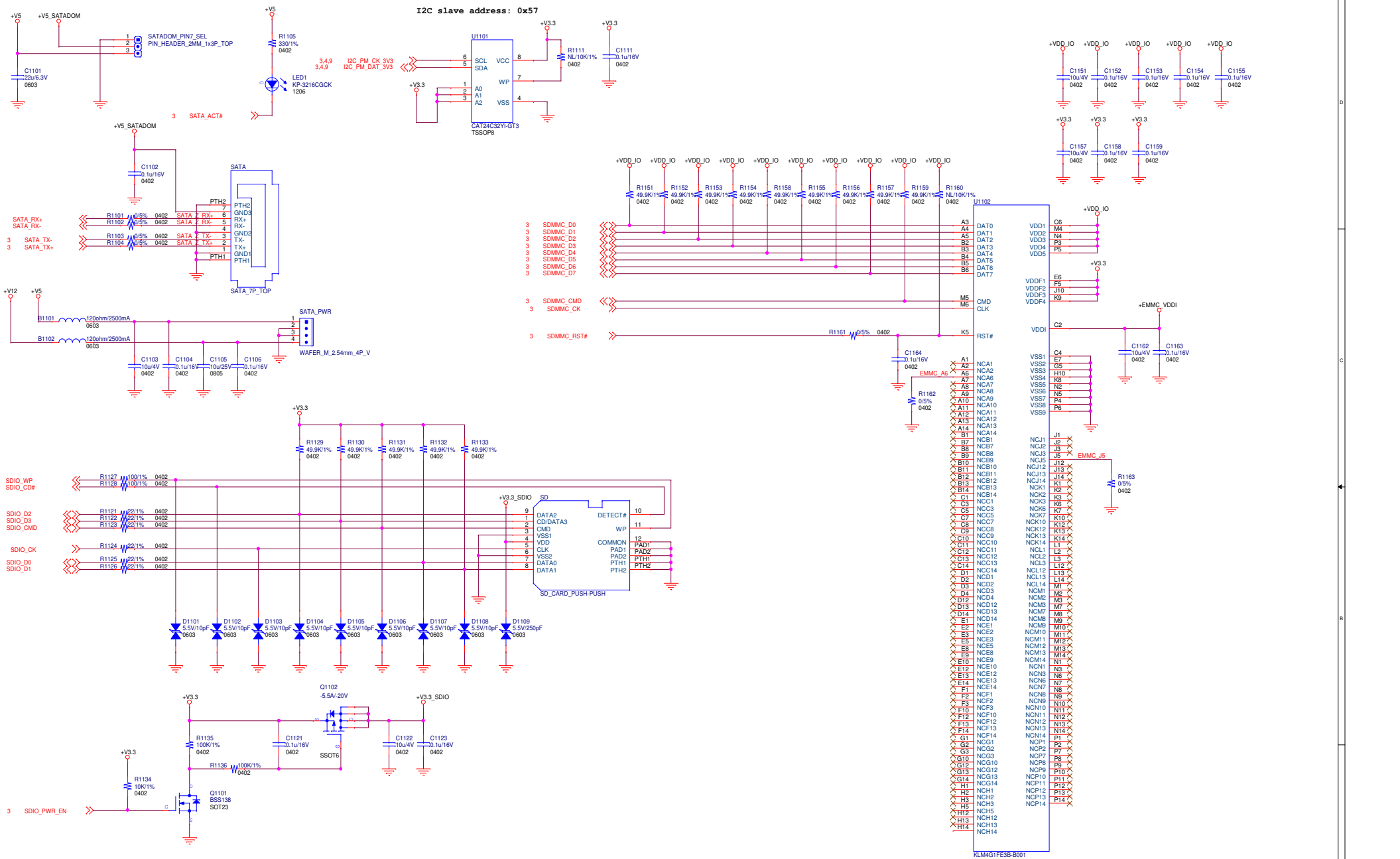


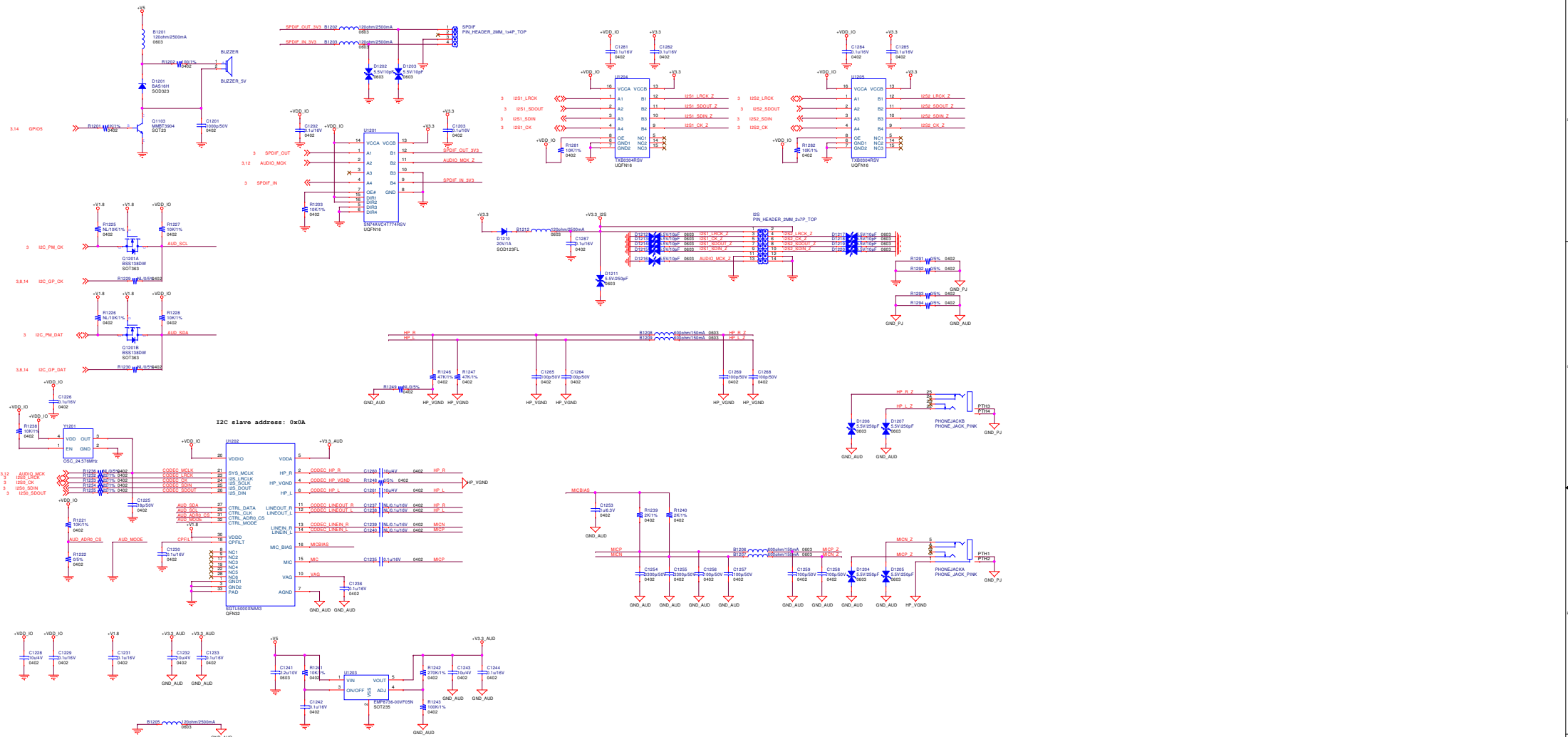


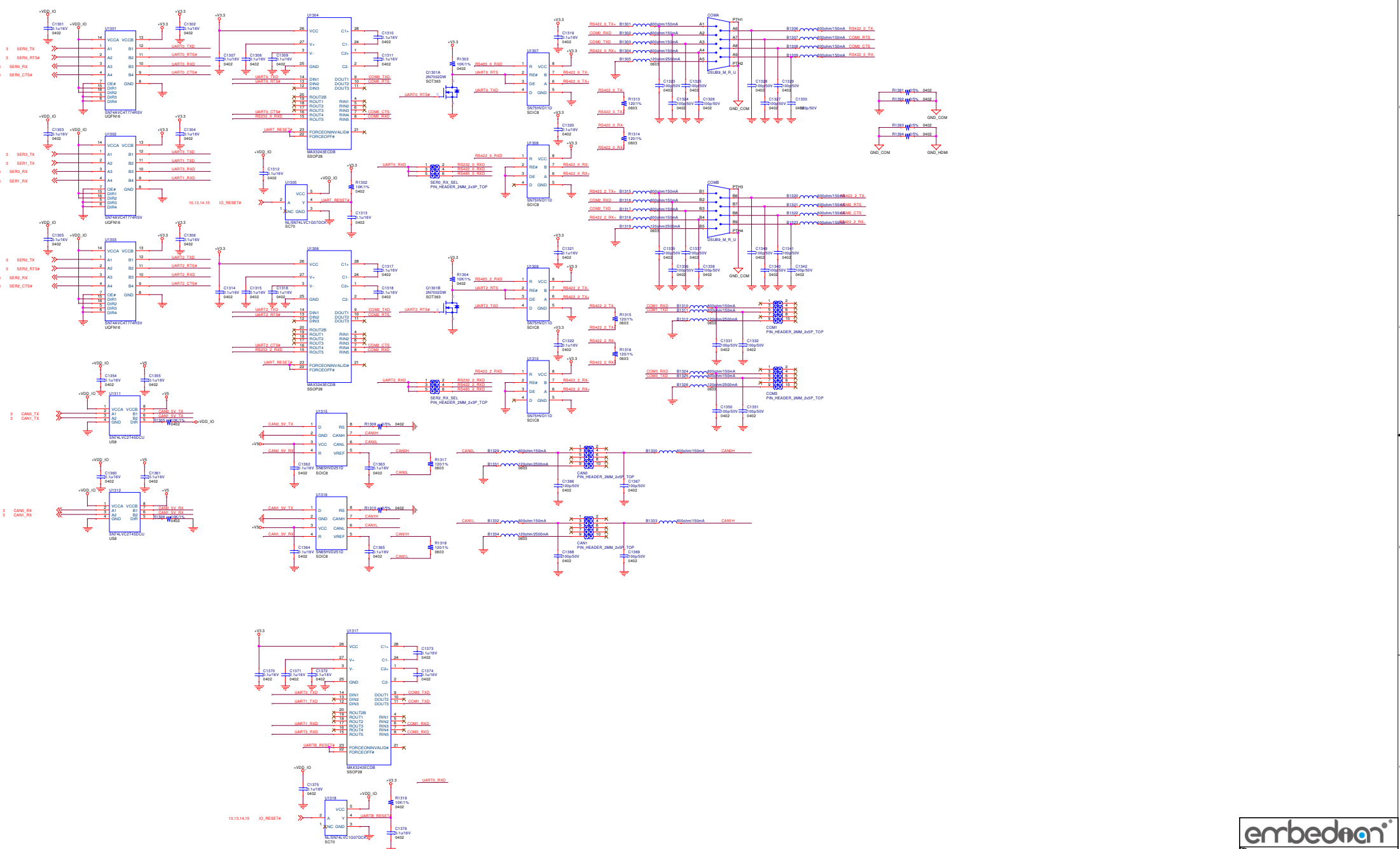


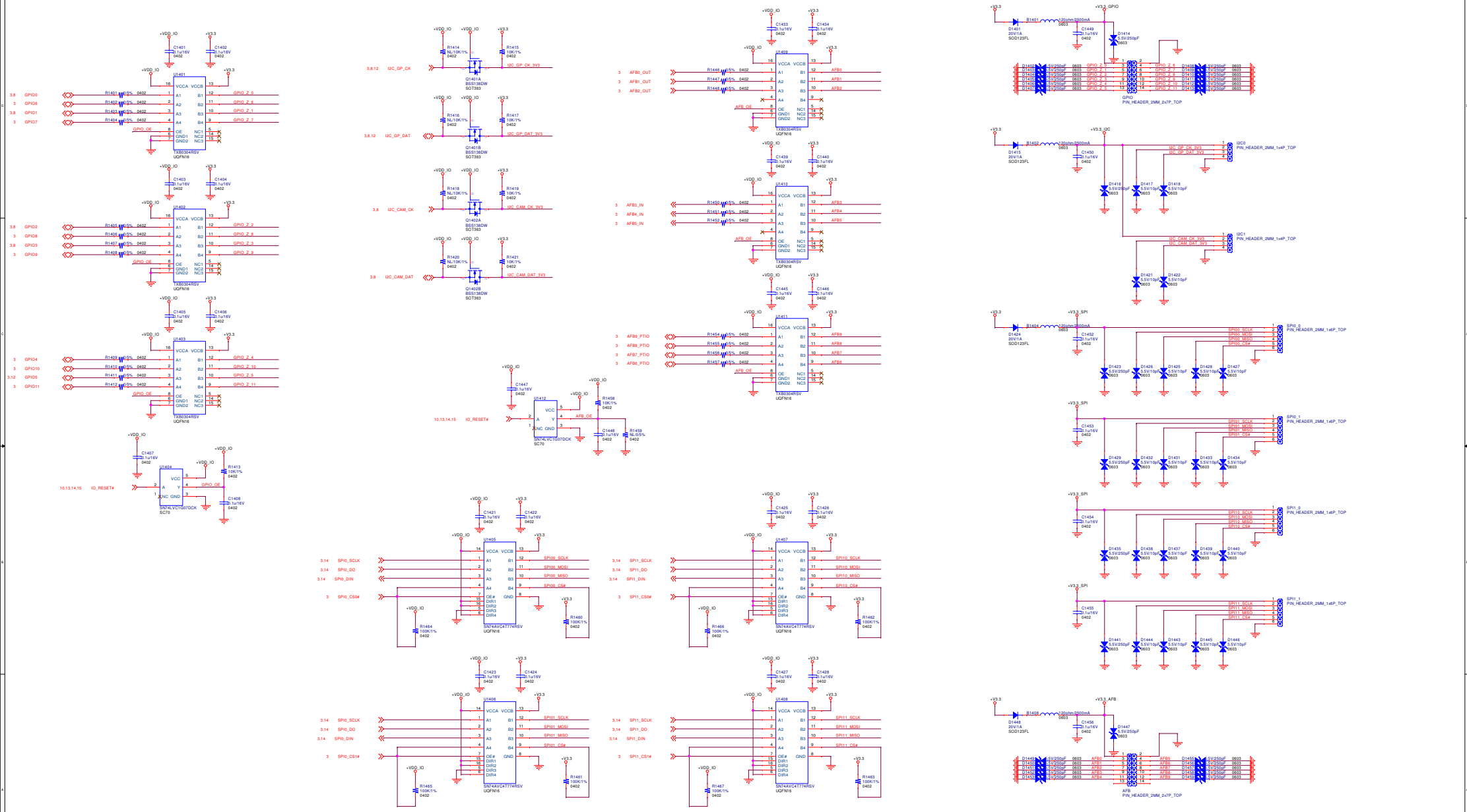
embedan

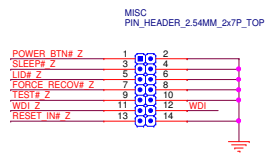
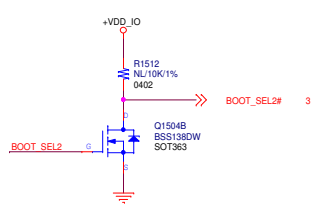
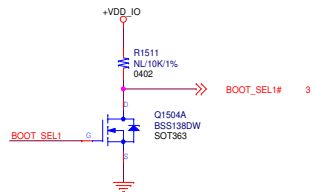
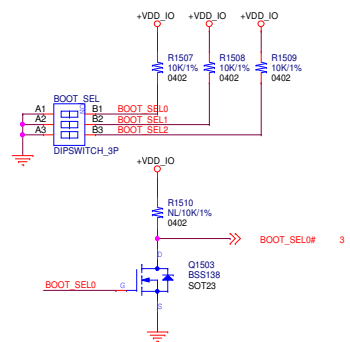
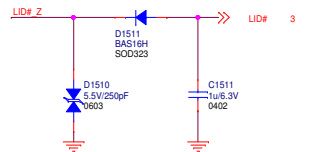
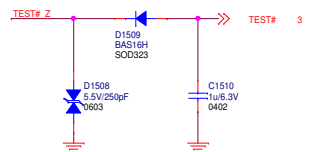
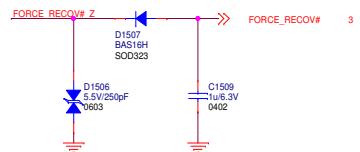
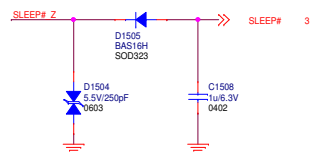
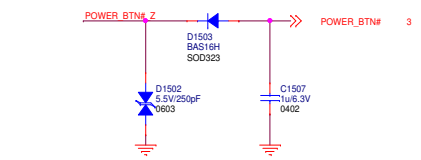
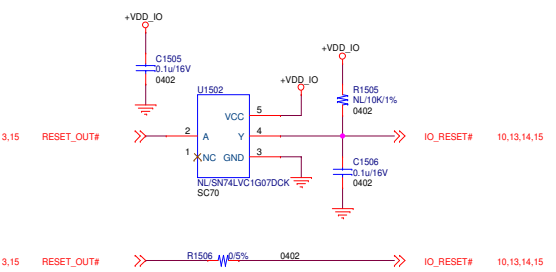
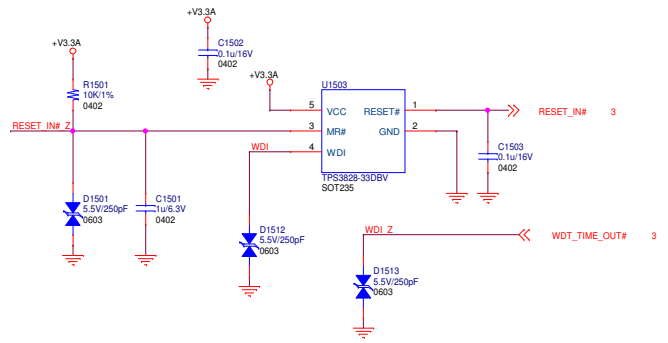
Title 10_USB_LAN		
Size C	Document Number EVK-STD-CARRIER	Rev 0060
Date: Wednesday, December 28, 2016	Sheet 10	of 16











5

4

3

2

1

D

D

C

C

B

B

A

A



Title **16_HISTORY**

Size A	Document Number EVK-STD-CARRIER	Rev 00B0
-----------	---	-------------

Date: **Wednesday, December 28, 2016** Sheet **16** of **16**

5

4

3

2

1