
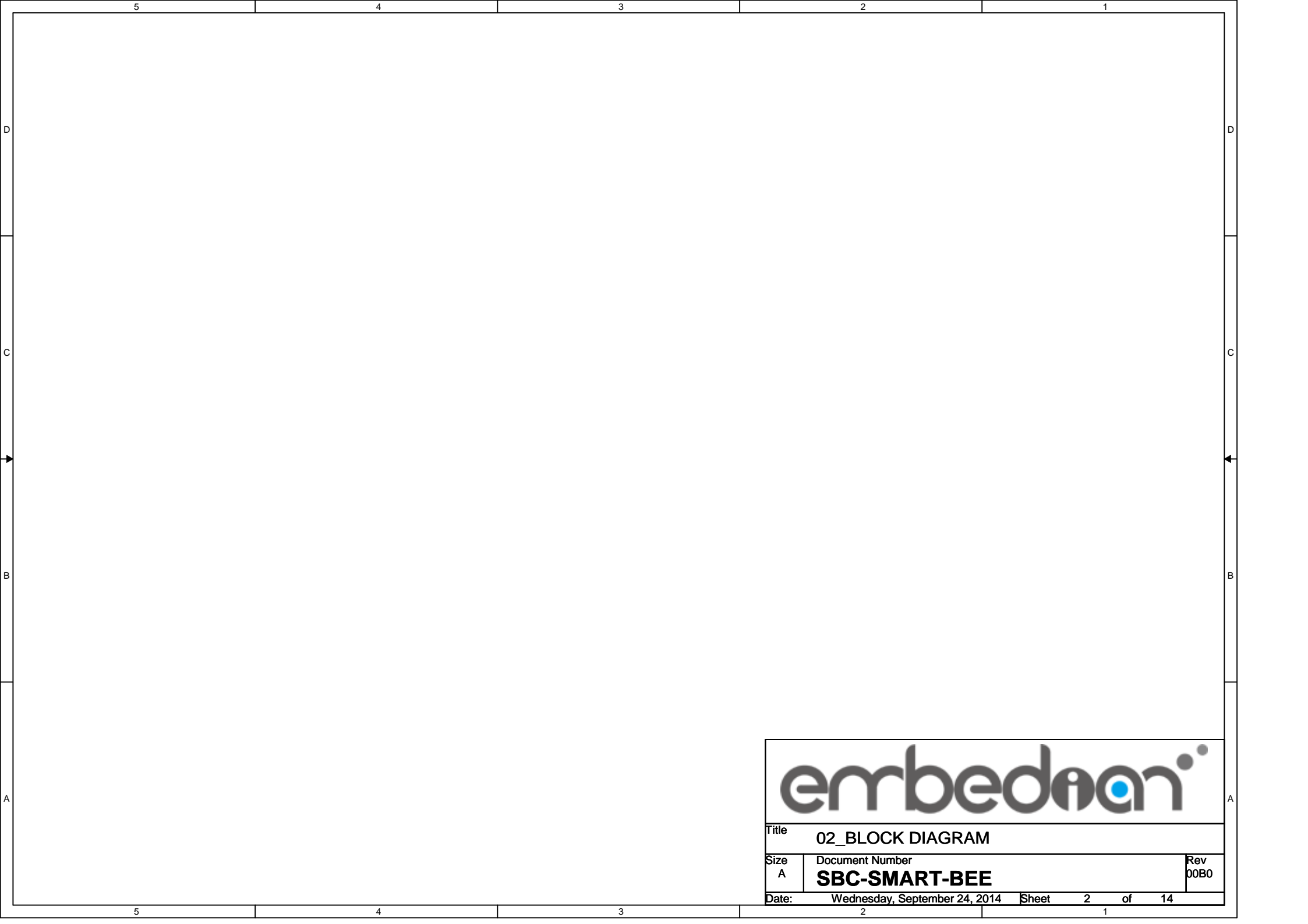



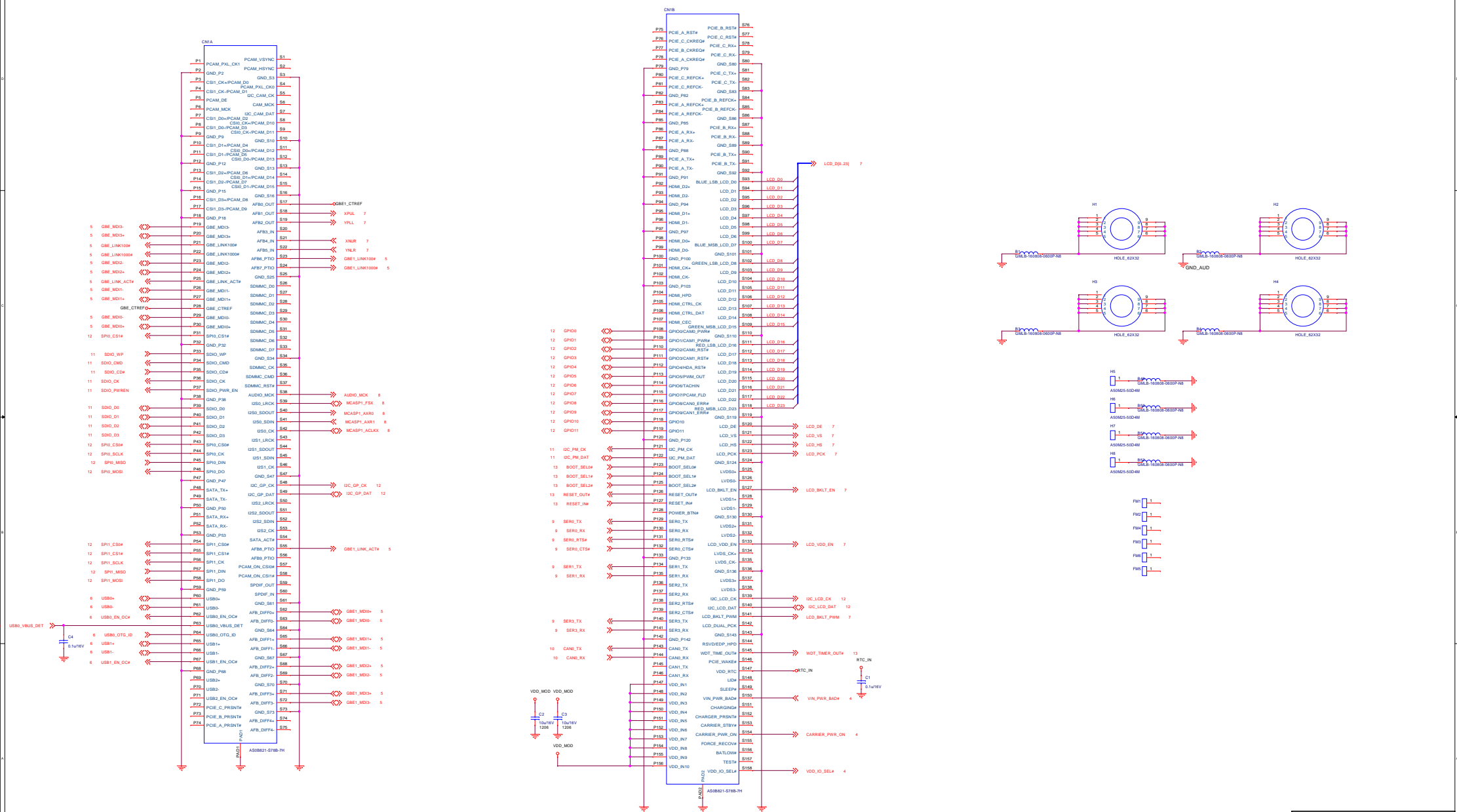
- 01_COVER_PAGE
- 02_BLOCK DIAGRAM
- 03_MXM3.0 CONNECTOR
- 04_POWER
- 05_RJ45
- 06_USB
- 07_LCD
- 08_AUDIO
- 09_UART
- 10_CAN
- 11_SD&EEPROM
- 12_EXTENSION HEADER
- 13_BOOTSEL&RESET
- 14_HISTORY

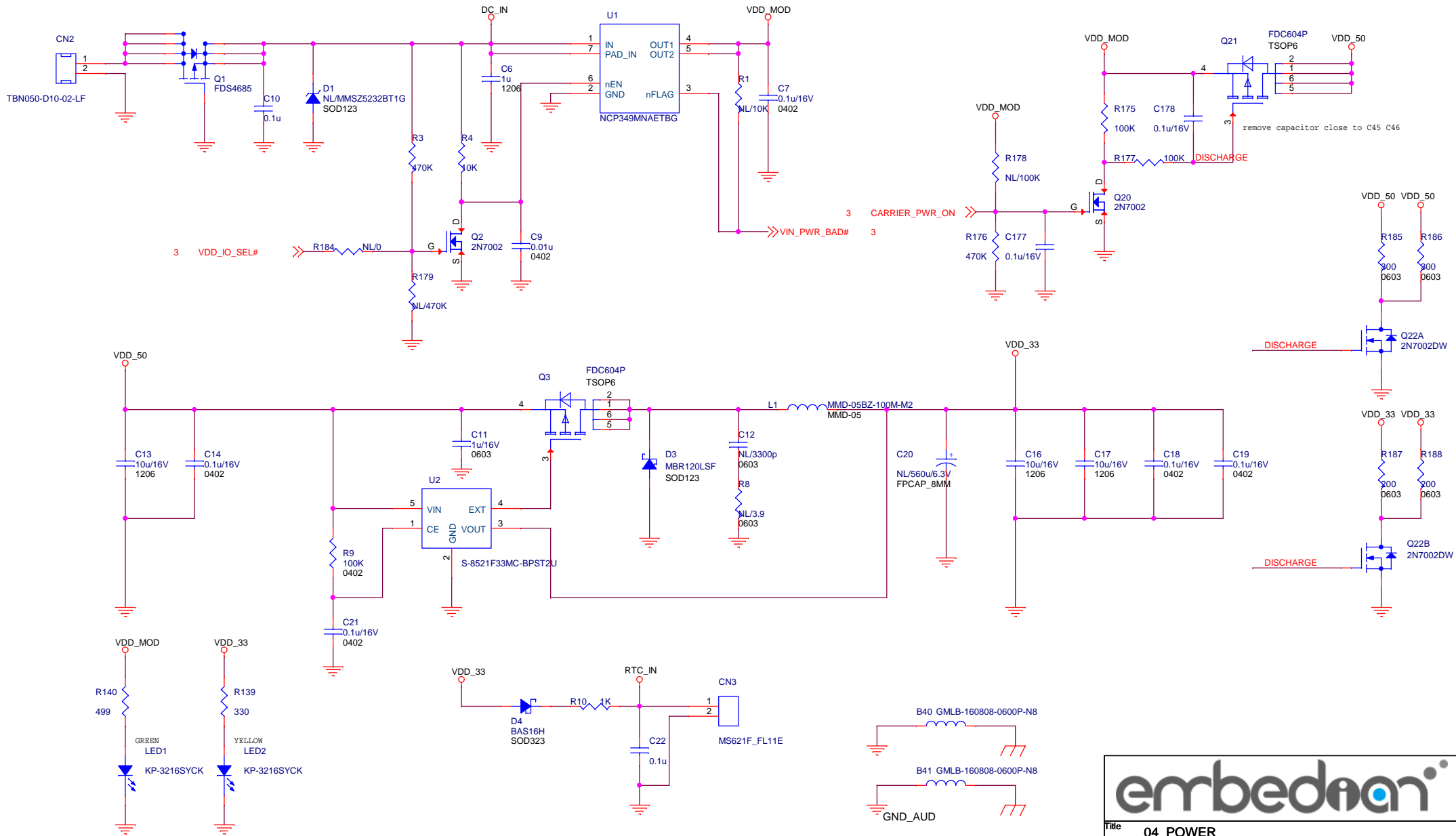


Title		01_COVER_PAGE	
Size	Document Number	Rev	
B	SBC-SMART-BEE	00B0	
Date:	Wednesday, September 24, 2014	Sheet	1 of 14



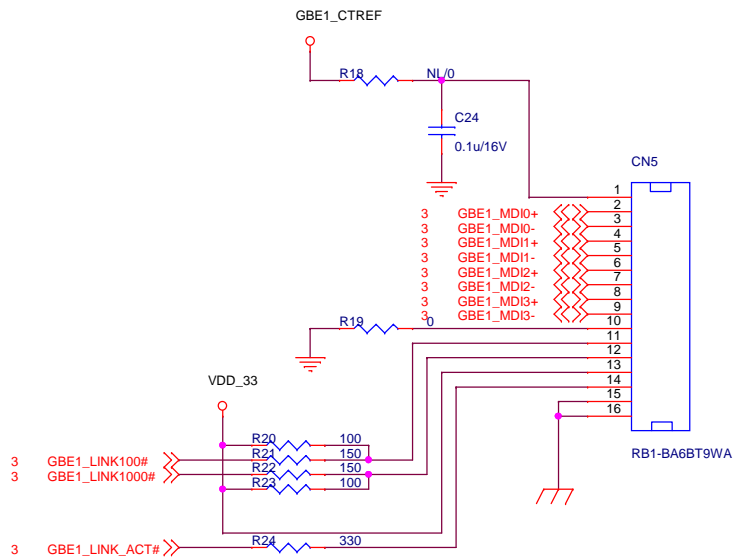
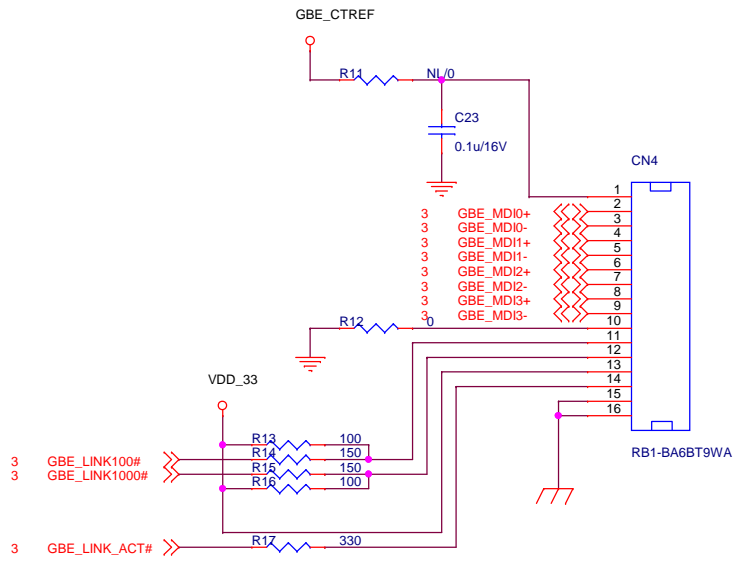
		
Title 02_BLOCK DIAGRAM		
Size A	Document Number SBC-SMART-BEE	Rev 00B0
Date: Wednesday, September 24, 2014 Sheet 2 of 14		



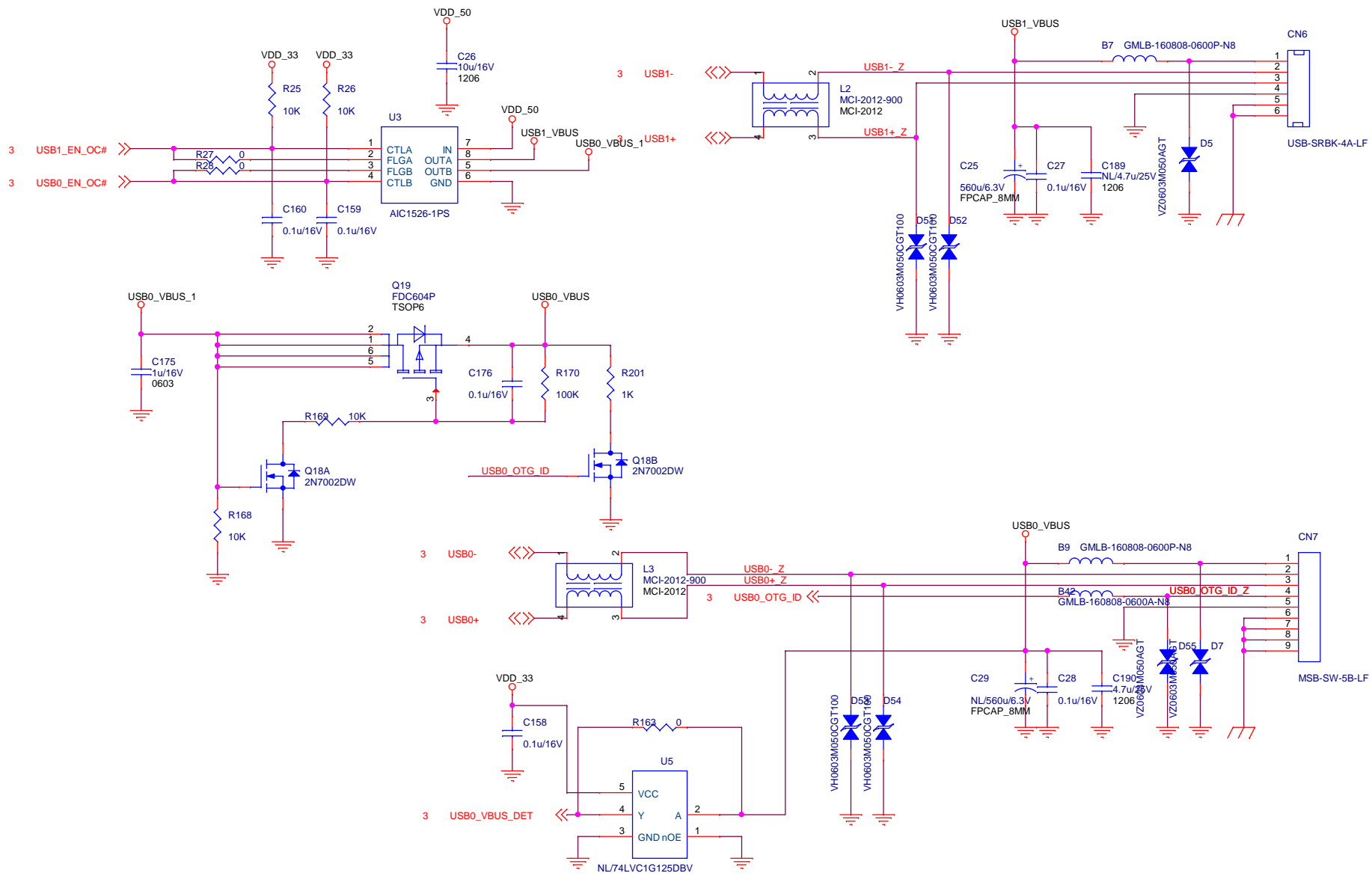


embedian

Title		04_POWER
Size	Document Number	Rev
B	SBC-SMART-BEE	00B0
Date:	Wednesday, September 24, 2014	Sheet 4 of 14

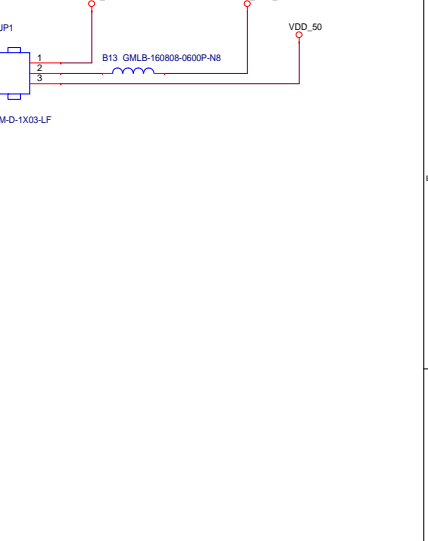
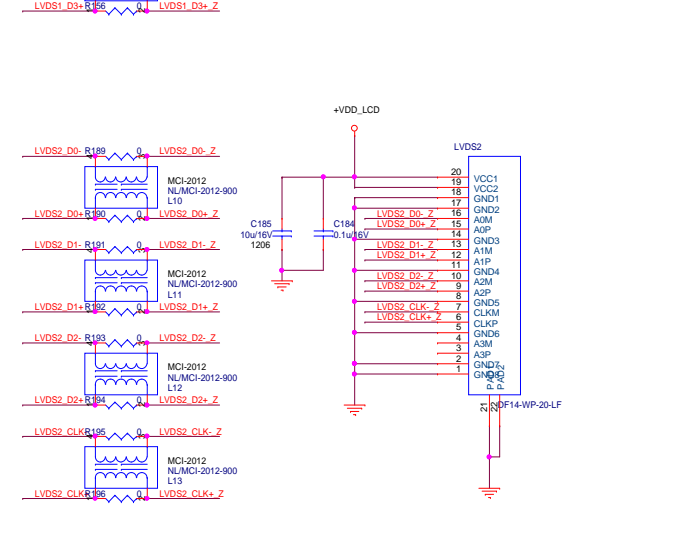
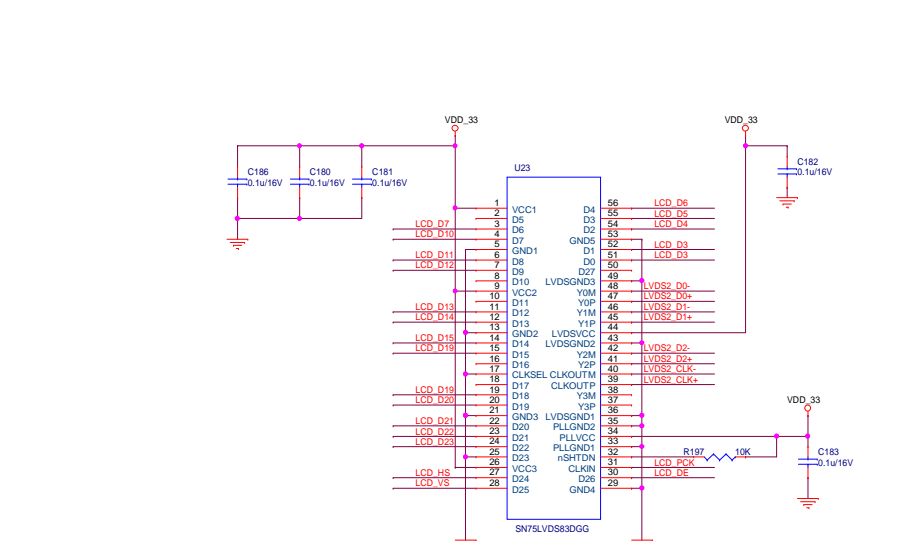
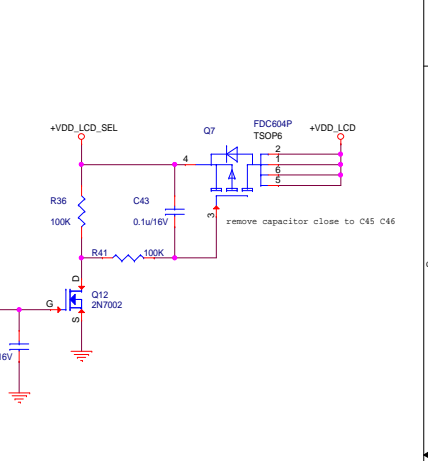
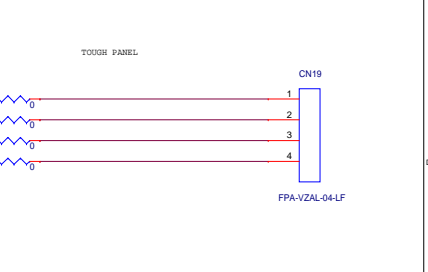
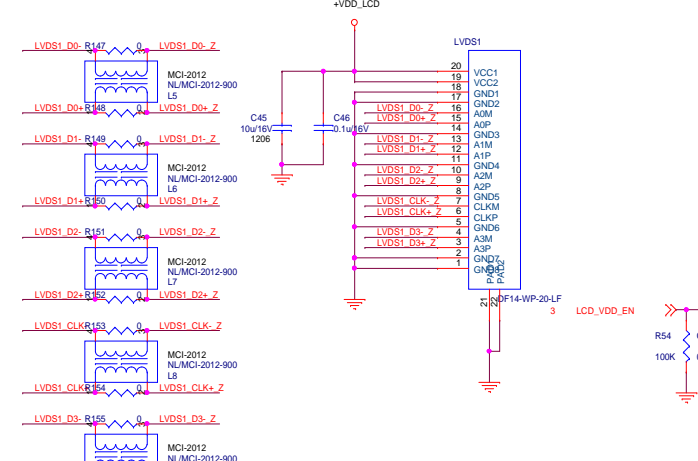
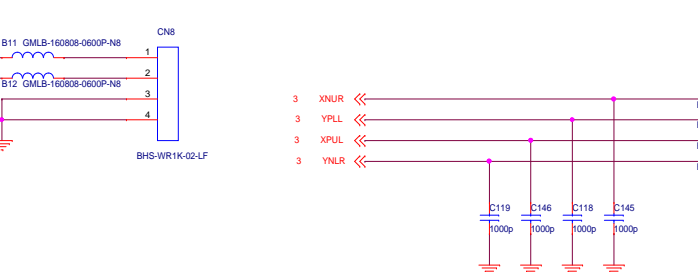
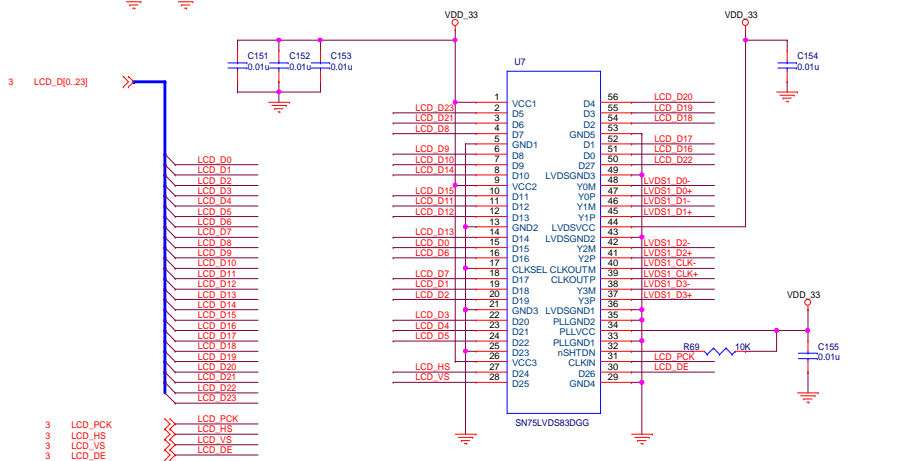
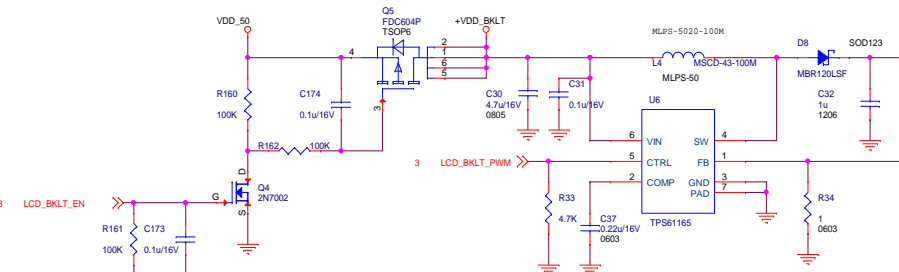


Title		05_RJ45
Size	Document Number	Rev
B	SBC-SMART-BEE	00B0
Date:	Wednesday, September 24, 2014	Sheet 5 of 14

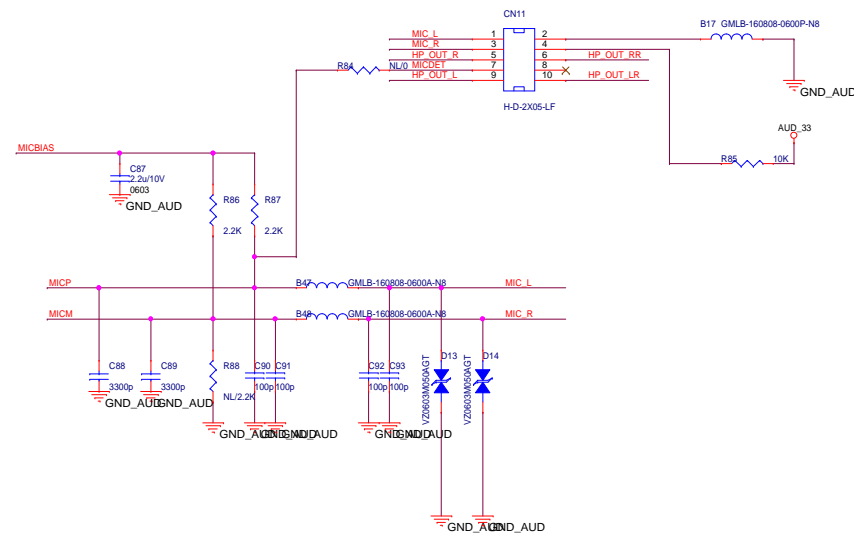
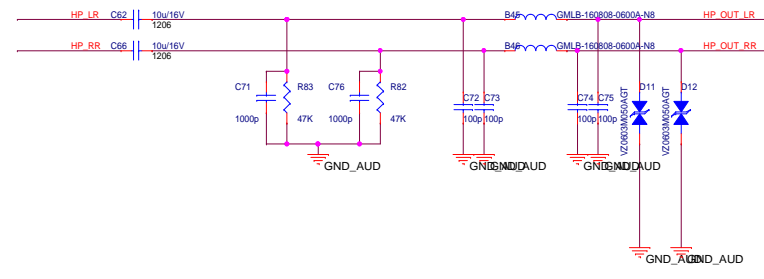
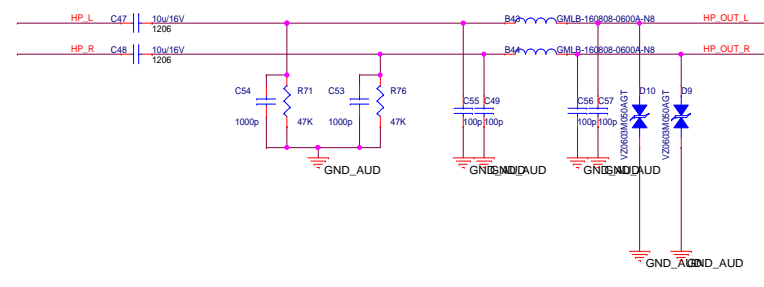
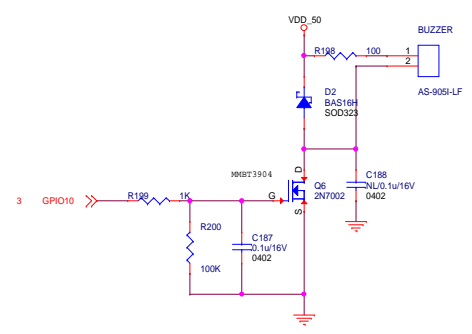
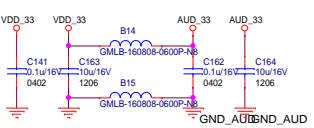
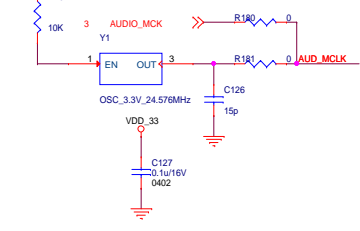
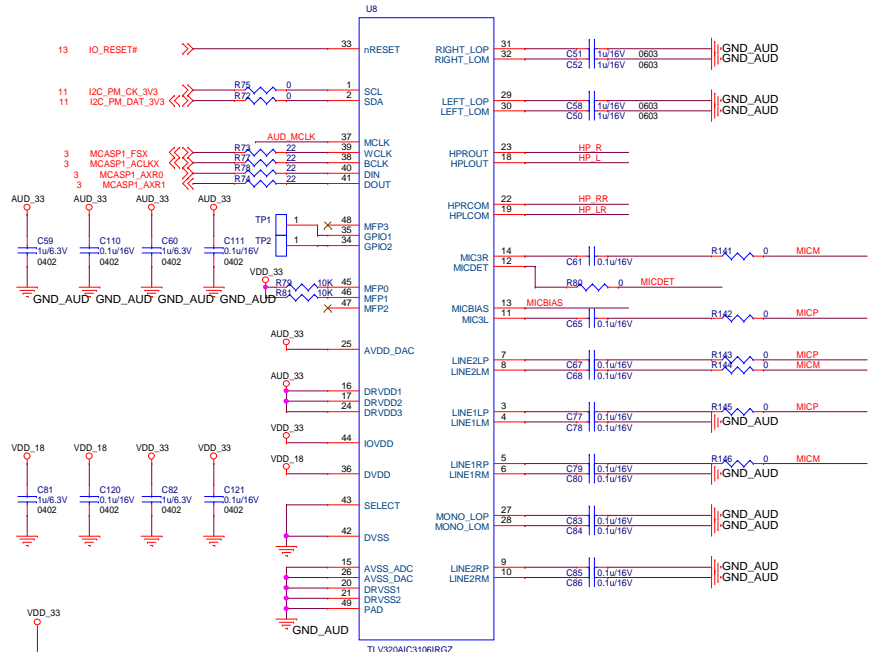


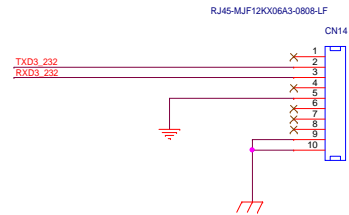
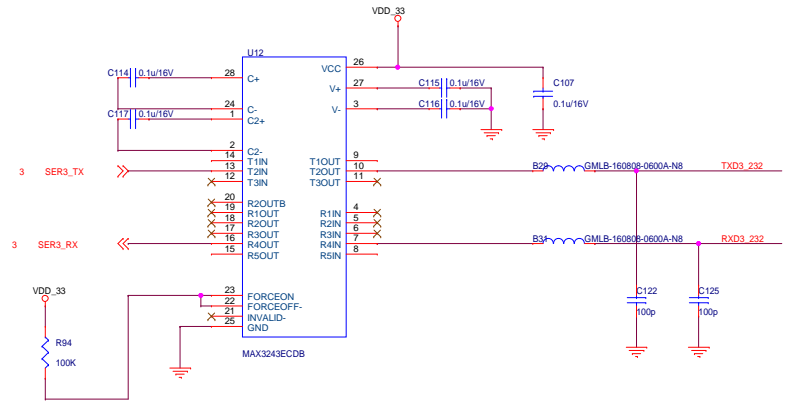
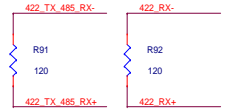
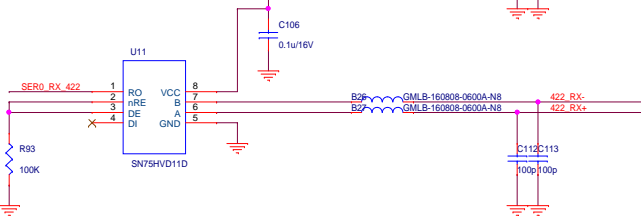
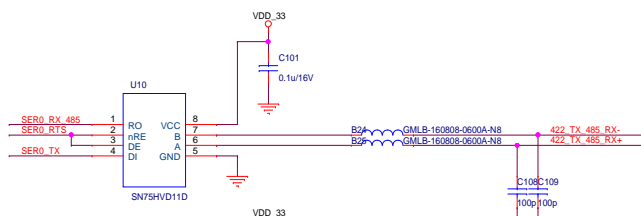
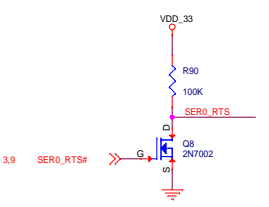
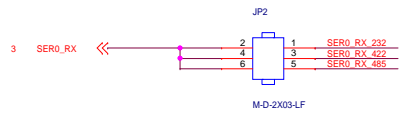
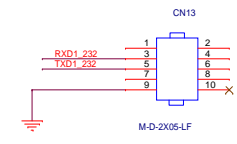
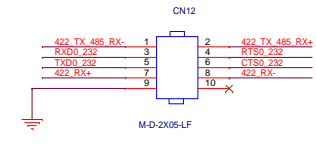
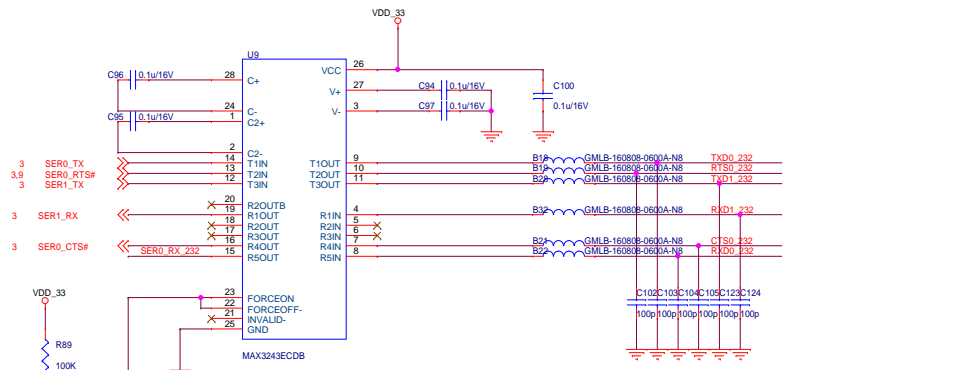
embedan

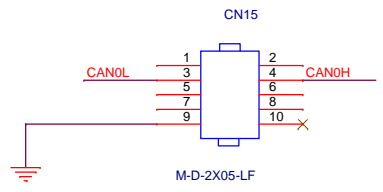
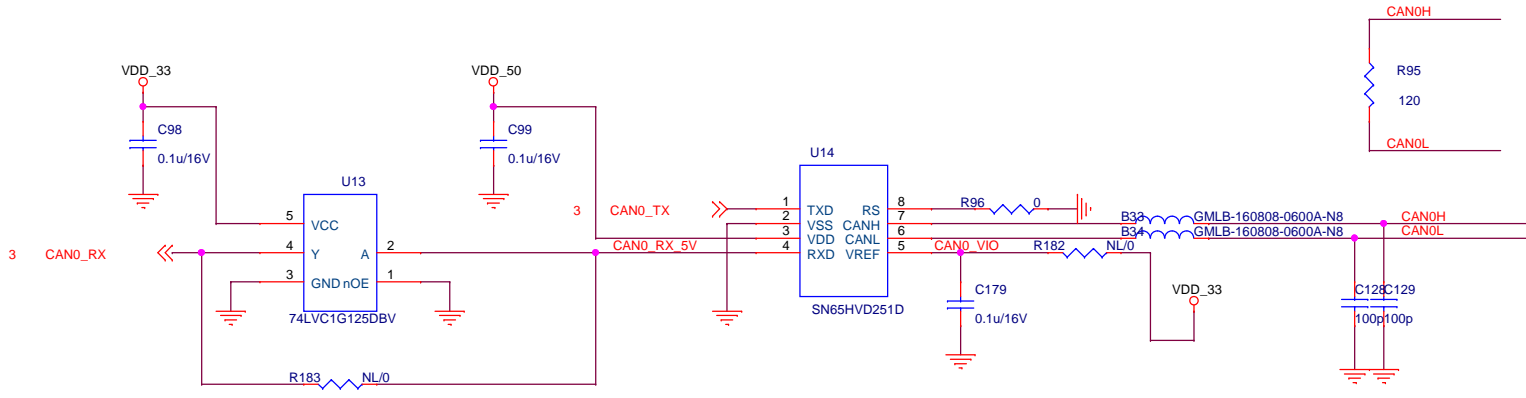
Title		06_USB
Size	Document Number	Rev
B	SBC-SMART-BEE	00B0
Date:	Wednesday, September 24, 2014	Sheet 6 of 14

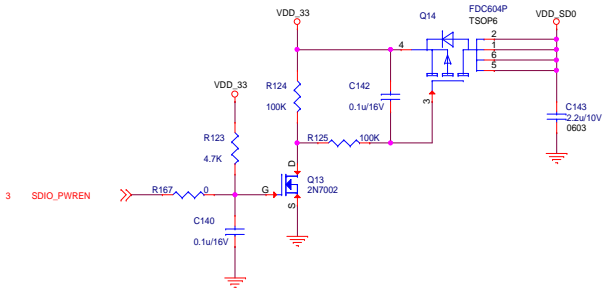
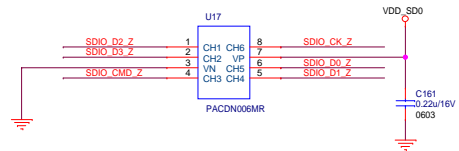
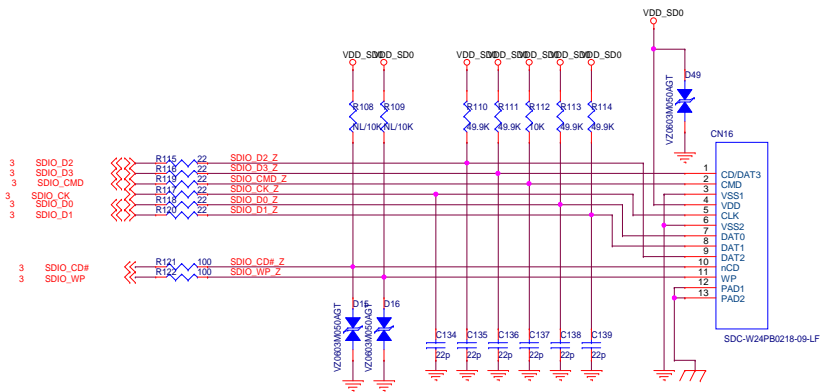
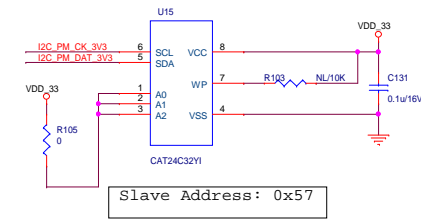
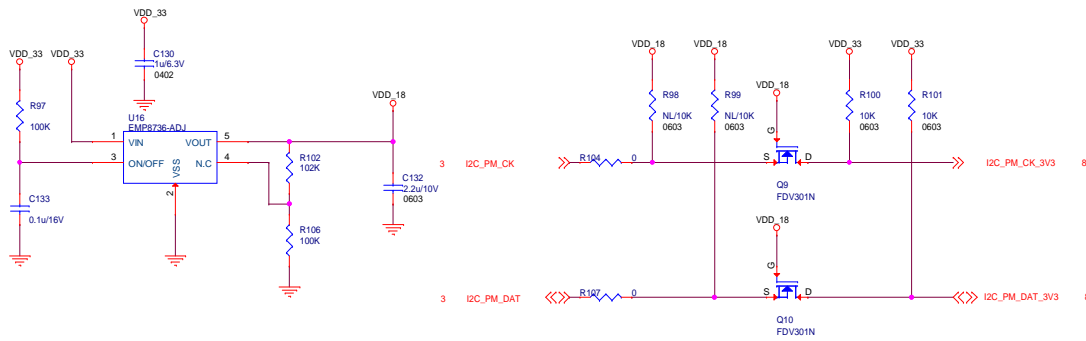


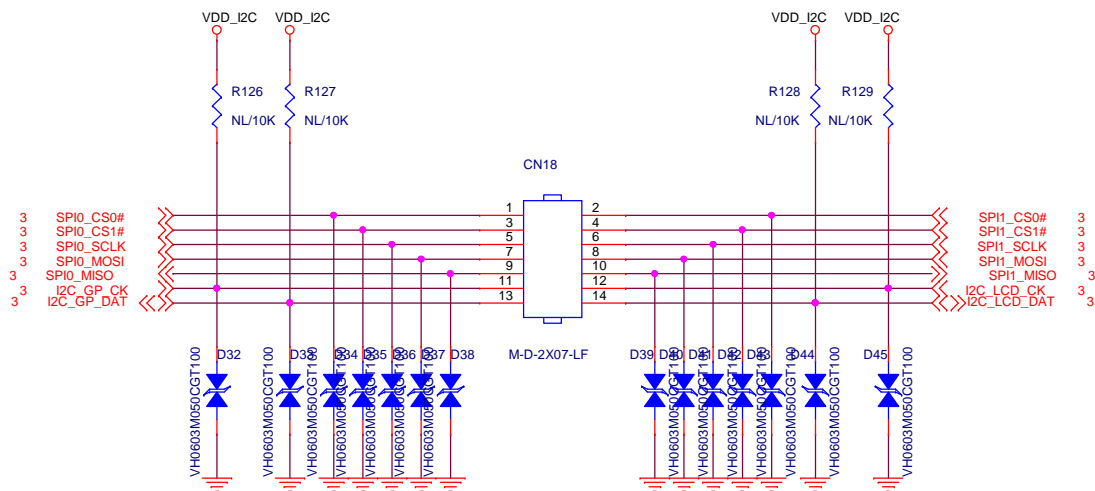
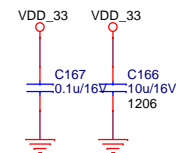
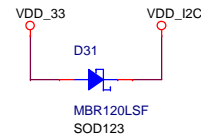
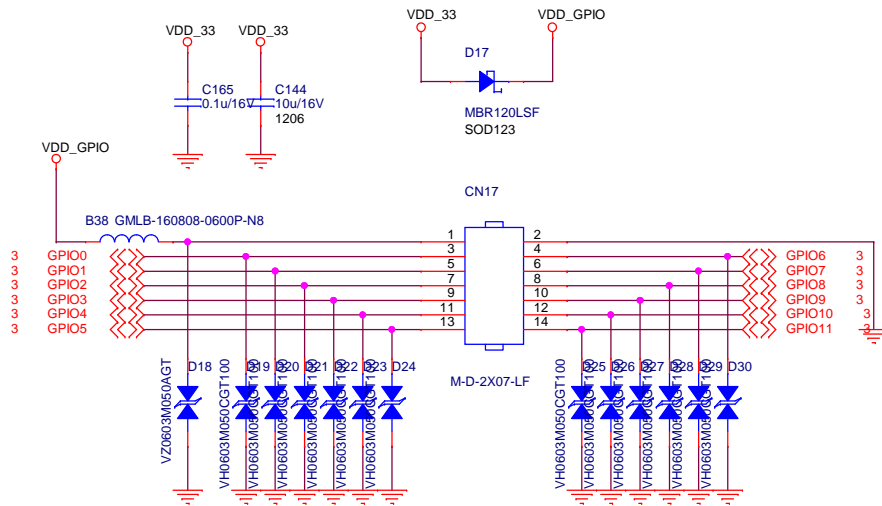
Slave Address: 0x1F





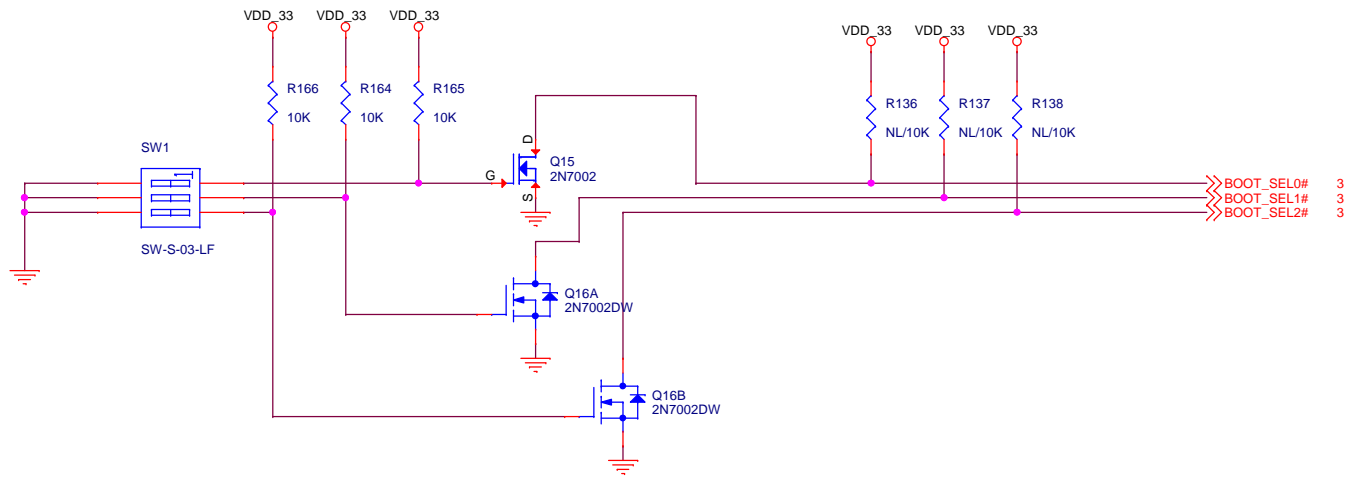
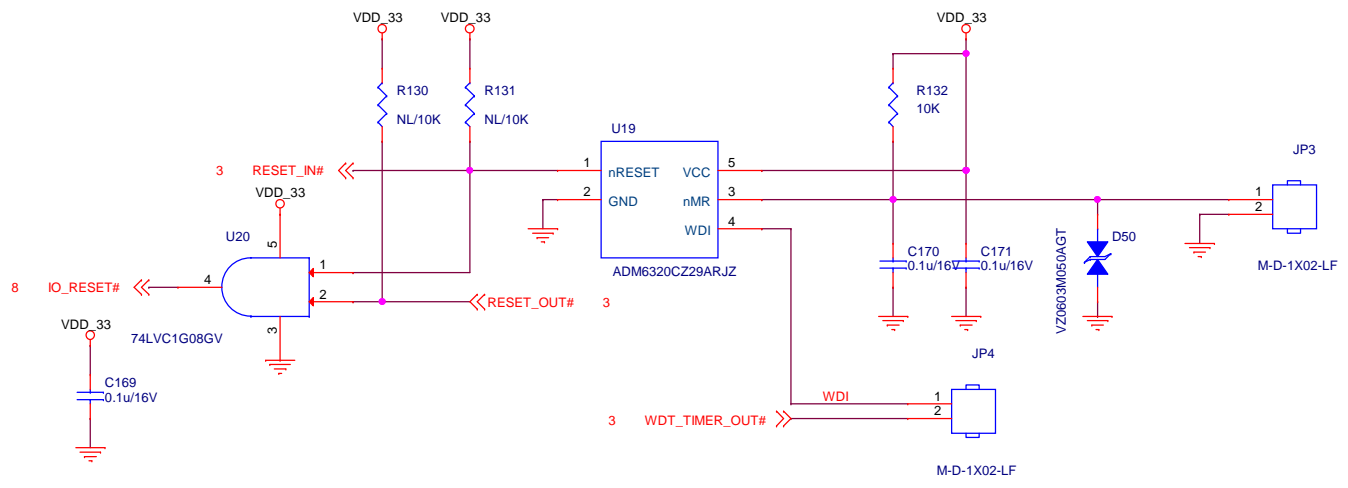







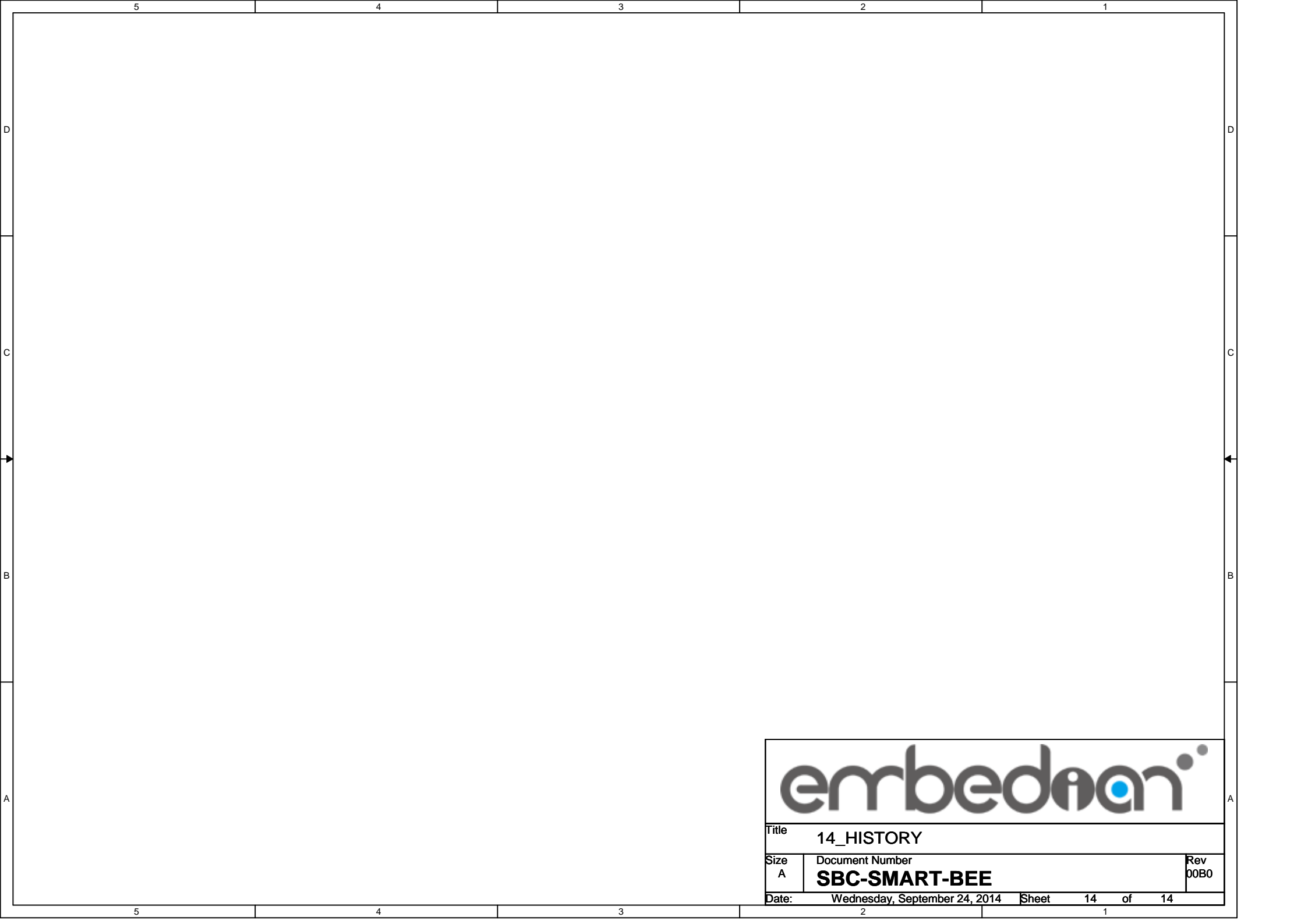
embedan


Title		12_EXTENSION HEADER
Size	Document Number	Rev
B	SBC-SMART-BEE	0080
Date:	Wednesday, September 24, 2014	Sheet 12 of 14





Title		13_BOOTSEL&RESET
Size	Document Number	Rev
B	SBC-SMART-BEE	00B0
Date:	Wednesday, September 24, 2014	Sheet 13 of 14



		
Title 14_HISTORY		
Size A	Document Number SBC-SMART-BEE	Rev 00B0
Date:	Wednesday, September 24, 2014	Sheet 14 of 14