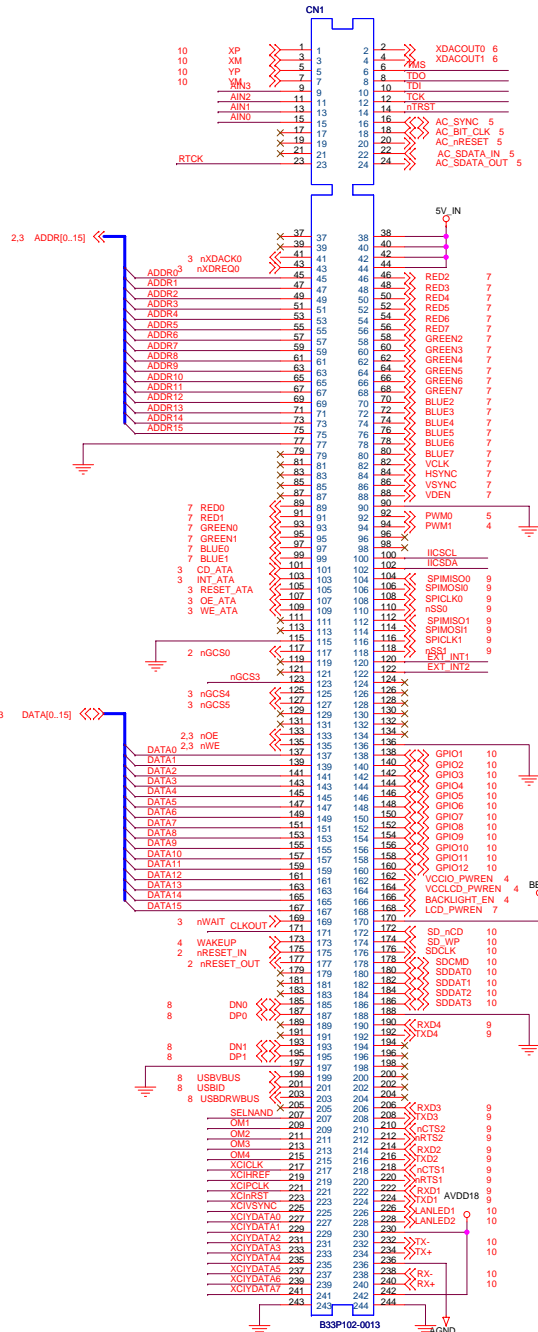
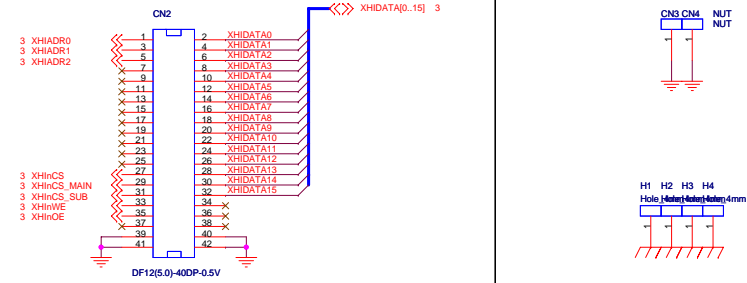


TEST POINT

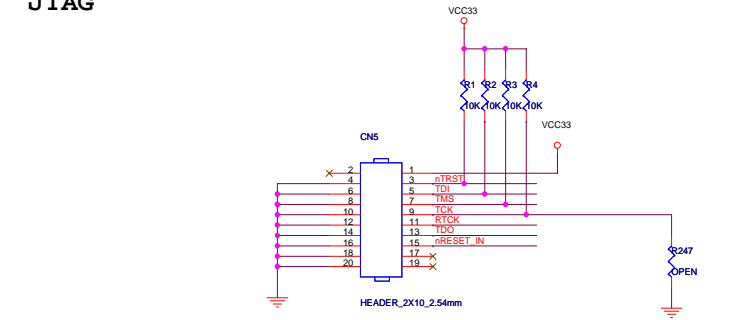
MXM CONNECTOR



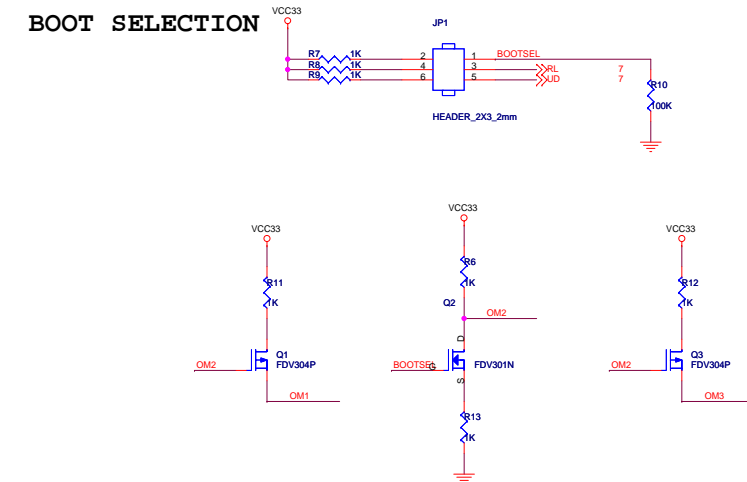
HOST INTERFACE



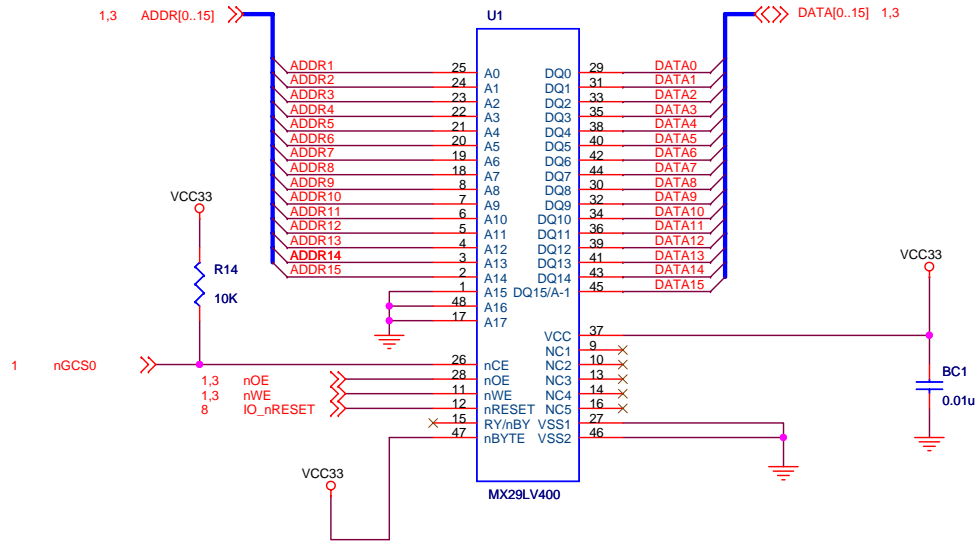
JTAG



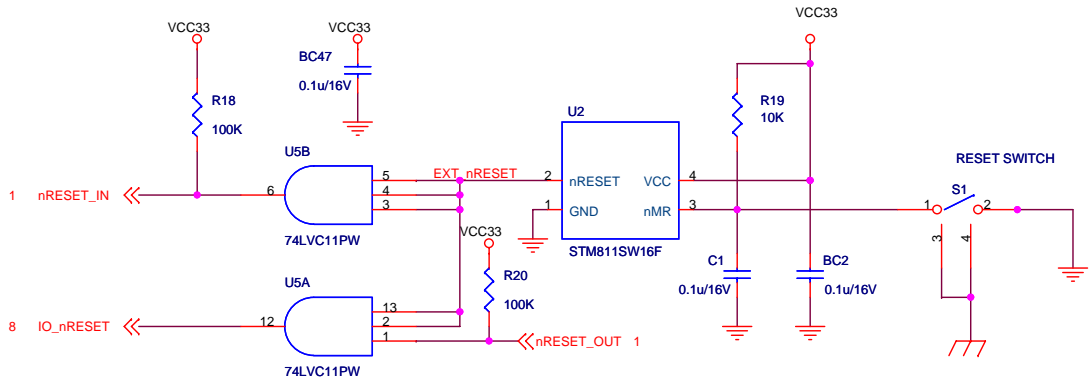
BOOT SELECTION



NOR FLASH

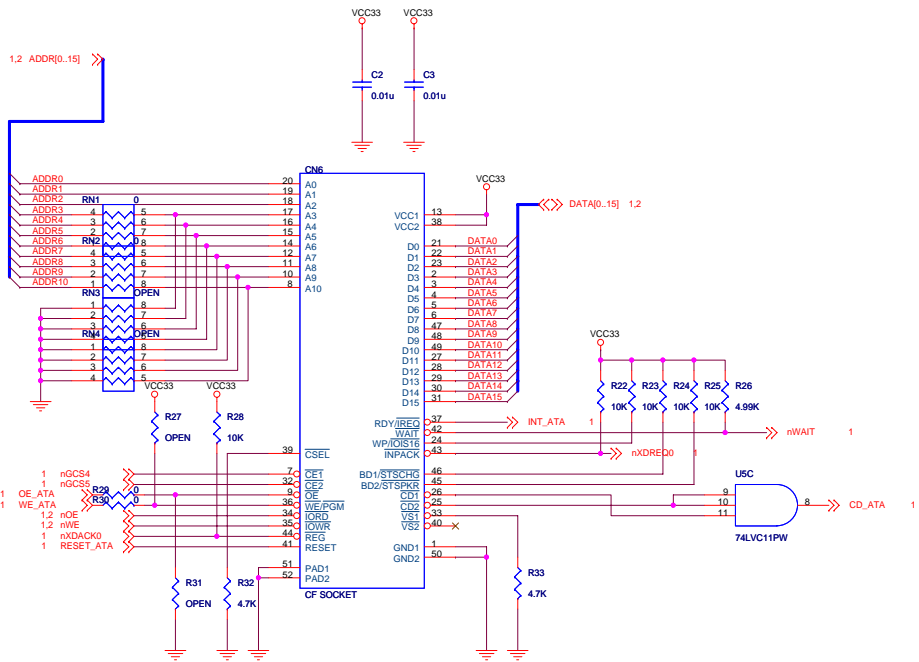


RESET CIRCUIT

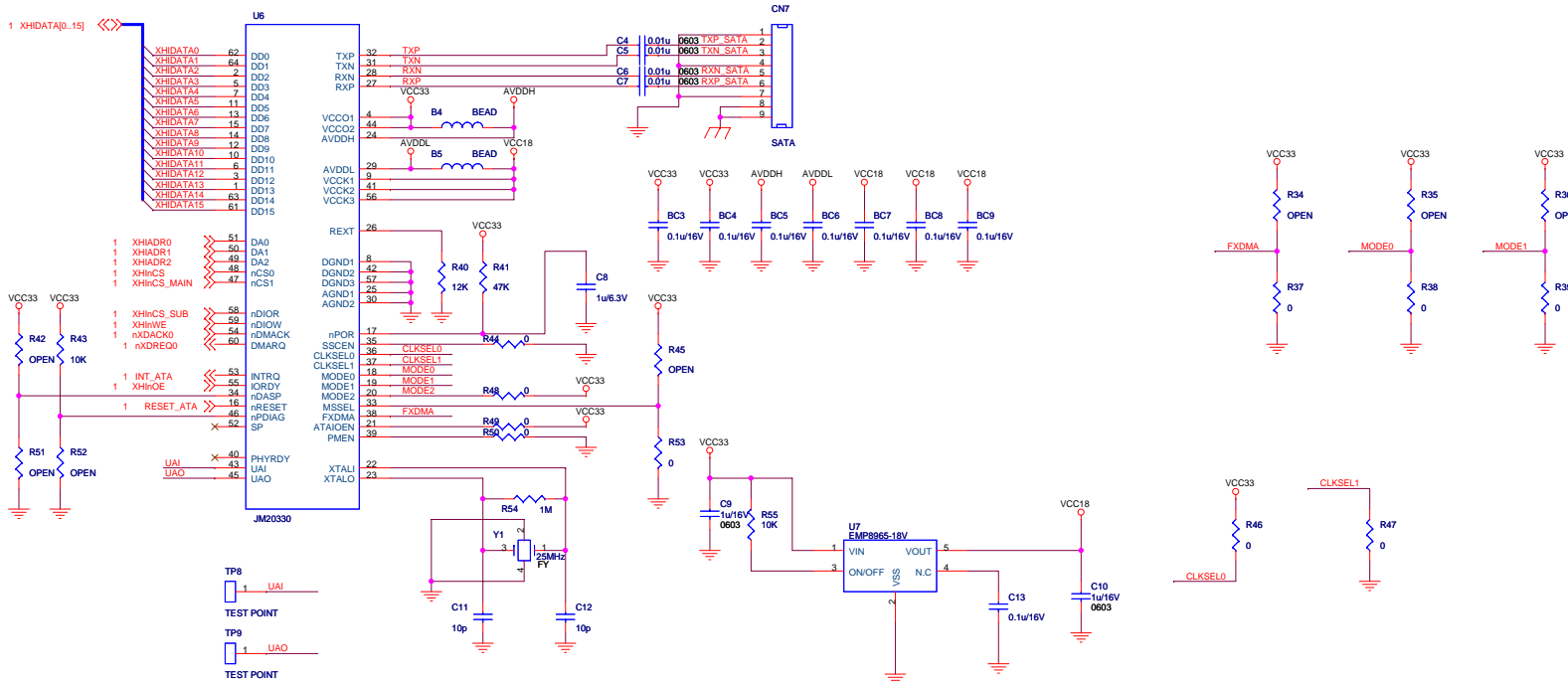


EMBEDIAN, INC.		
Title		
EVK-6410 (MXM-6410 Evaluation Board)		
Size	Document Number	Rev
B	NOR FLASH & RESET	A
Date:	Thursday, December 11, 2008	Sheet 2 of 10

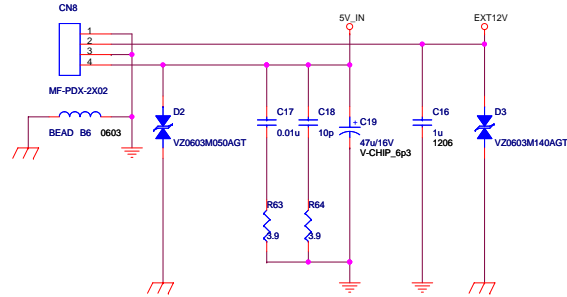
CF / PC CARD INTERFACE



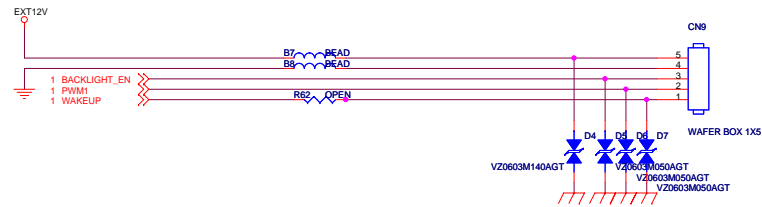
SATA INTERFACE (TRUE IDE)



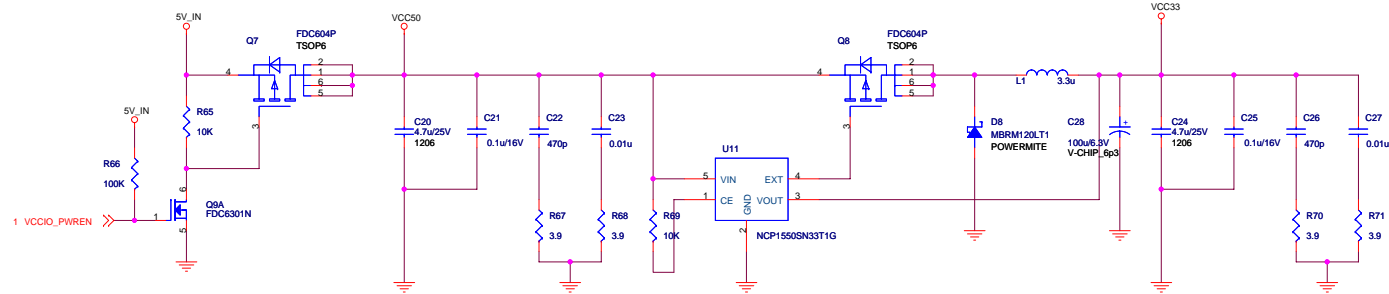
DC INPUT



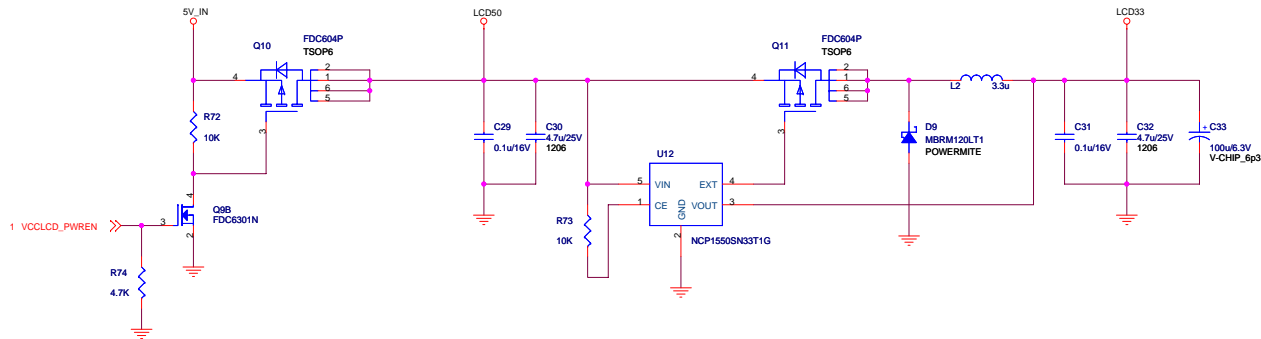
BACKLIGHT CONTROL



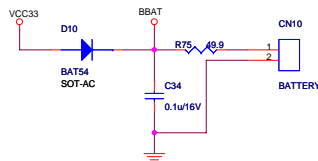
IO POWER SWITCH

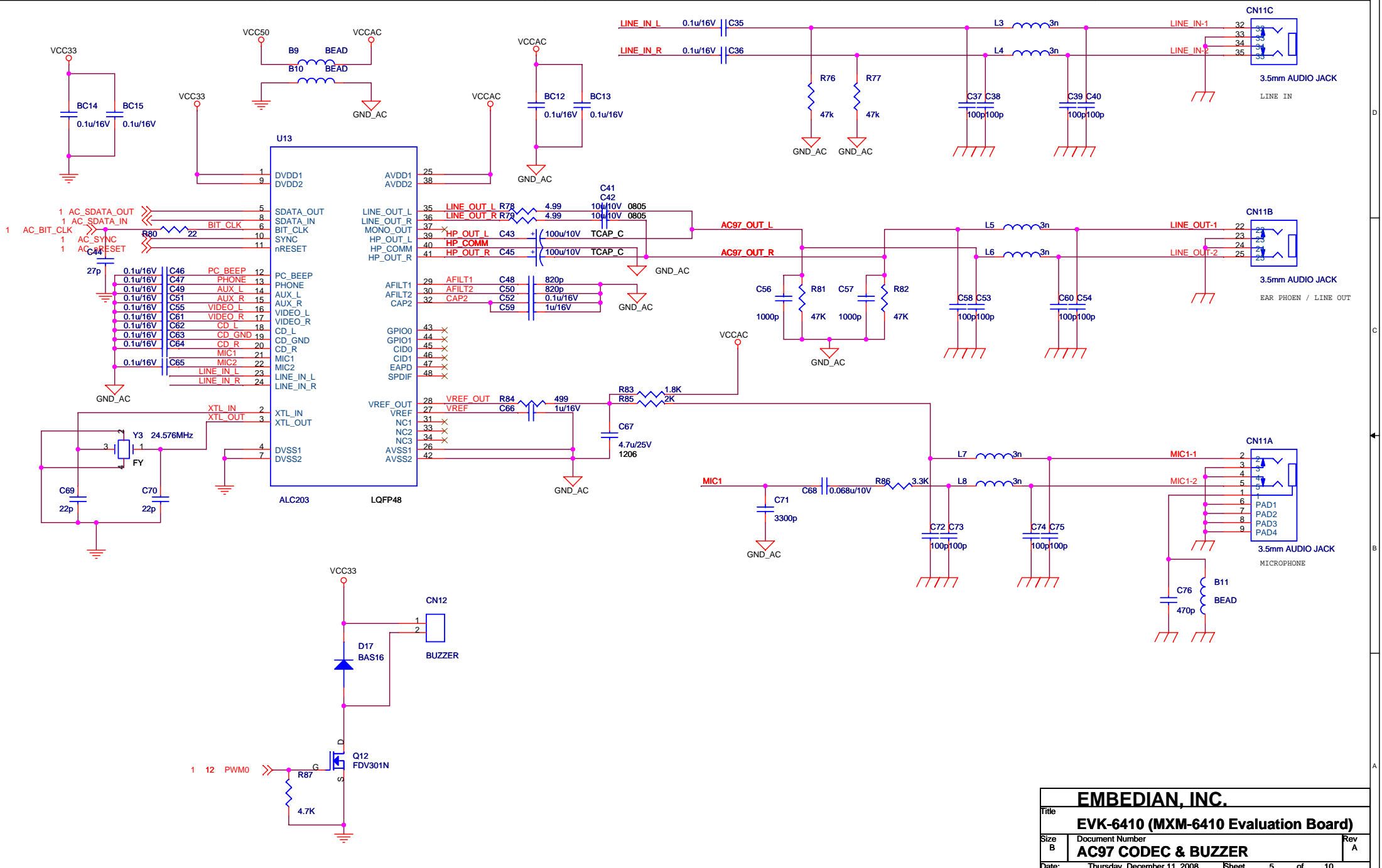


LCD PANEL POWER SWITCH

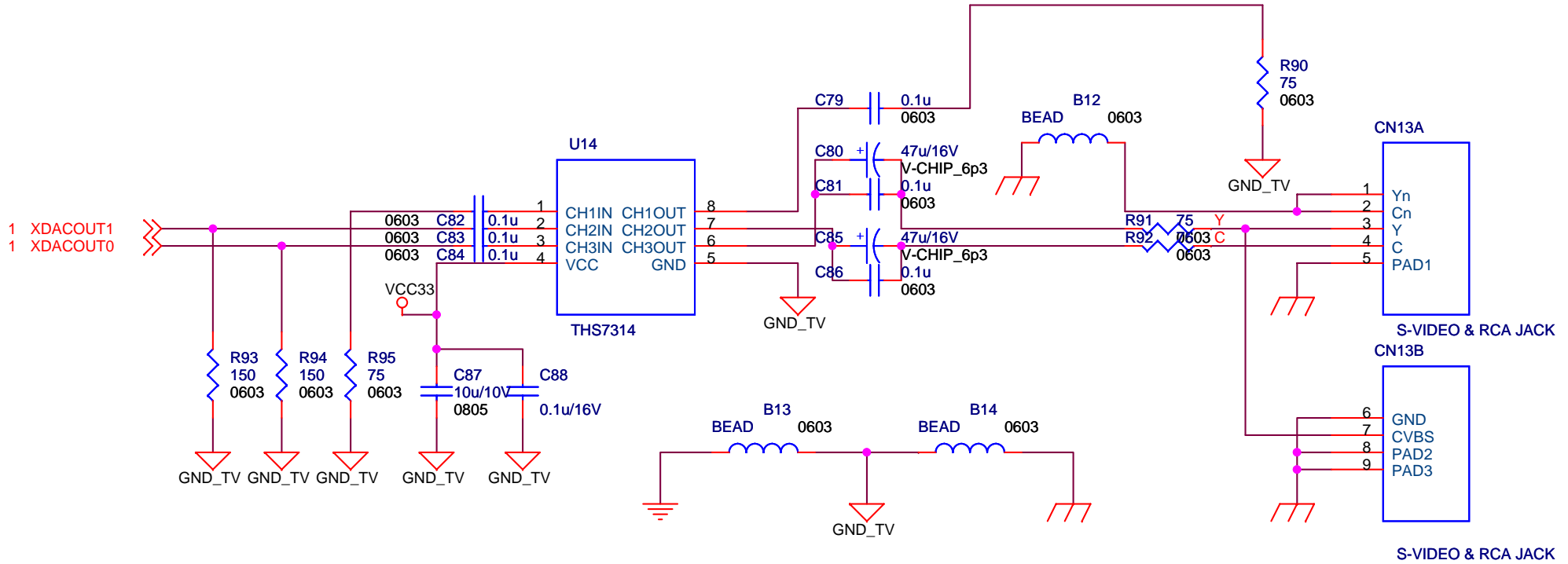


RTC BATTERY

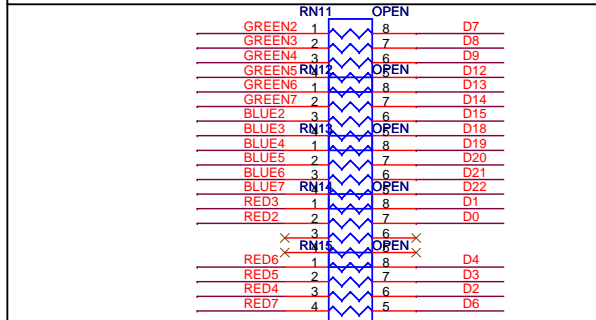
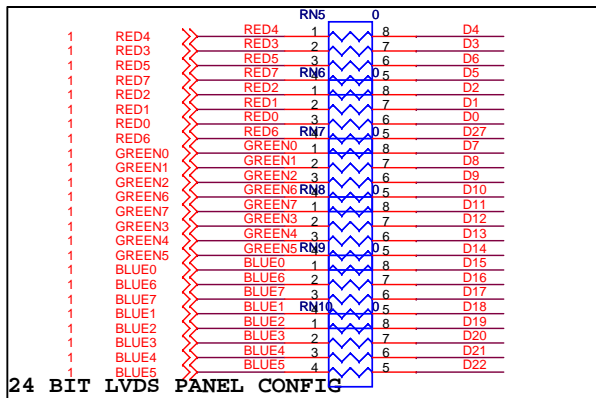




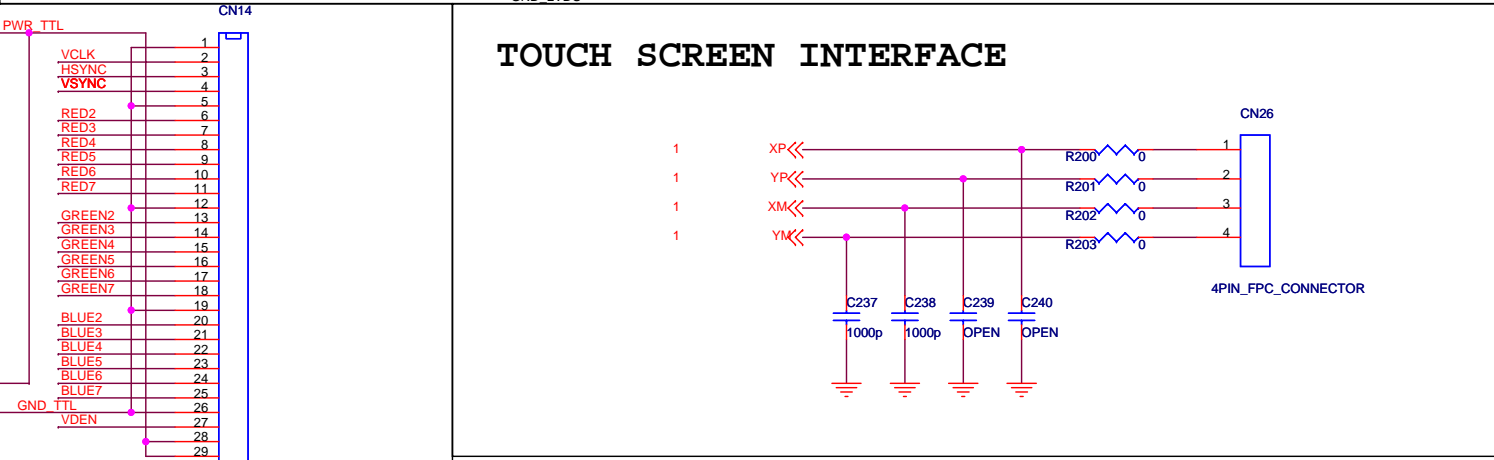
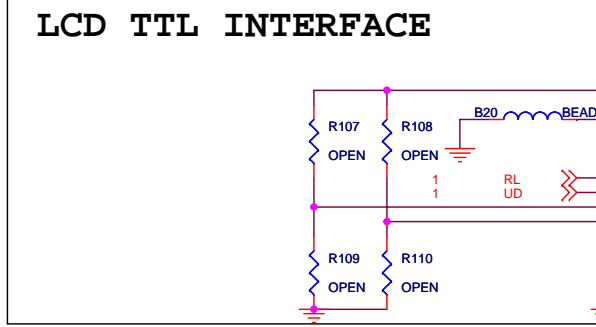
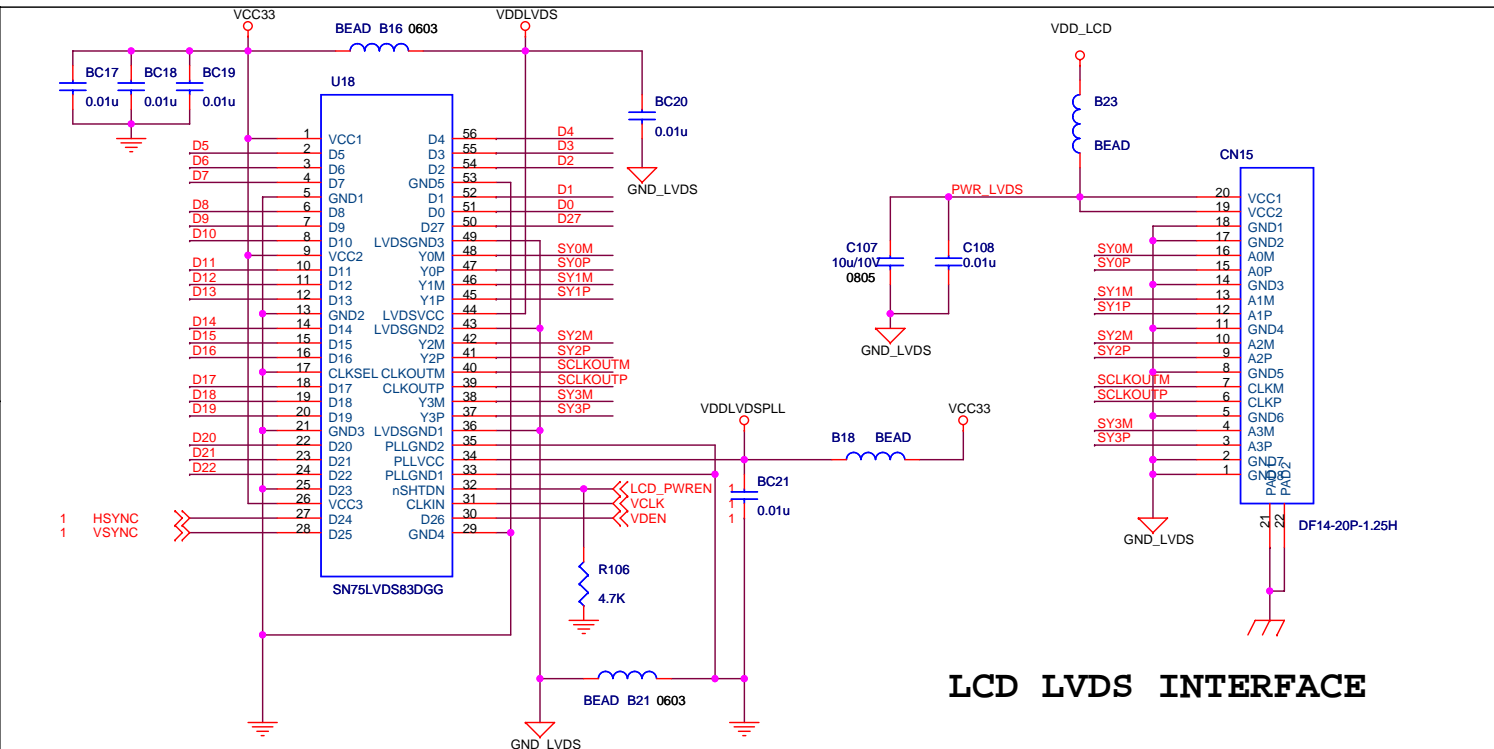
EMBEDIAN, INC.		
Title		
EVK-6410 (MXM-6410 Evaluation Board)		
Size	Document Number	Rev
B	AC97 CODEC & BUZZER	A
Date:	Thursday, December 11, 2008	Sheet 5 of 10

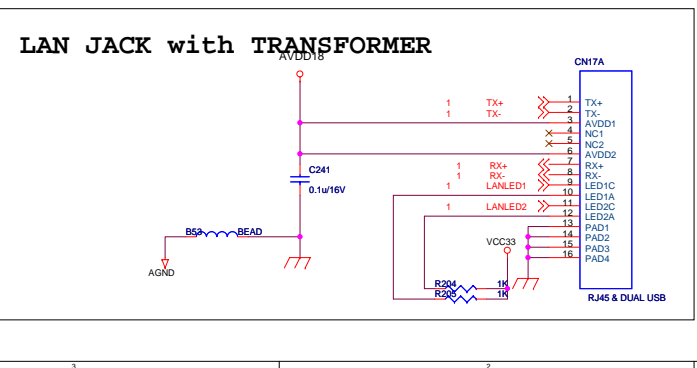
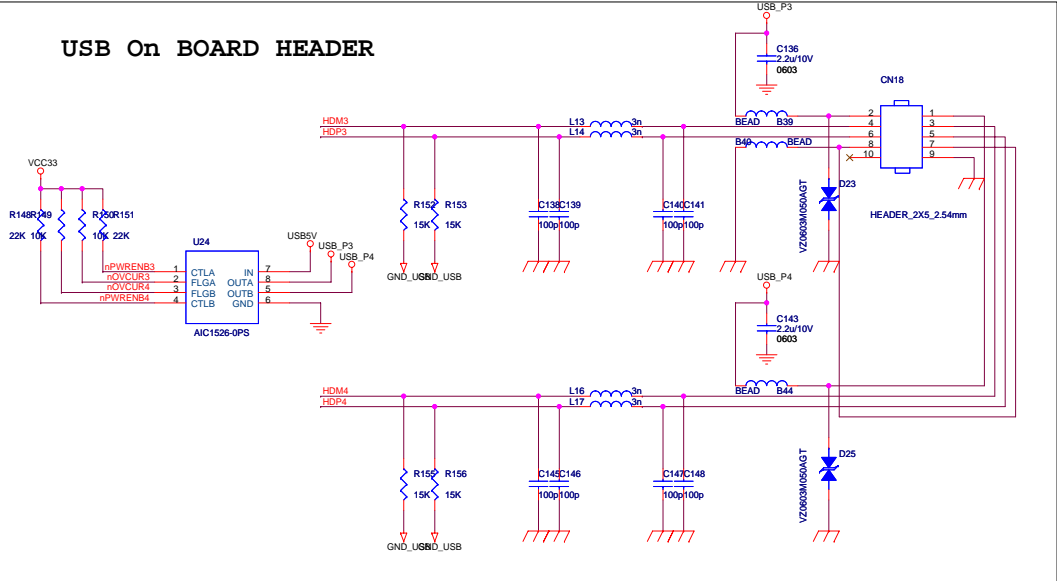
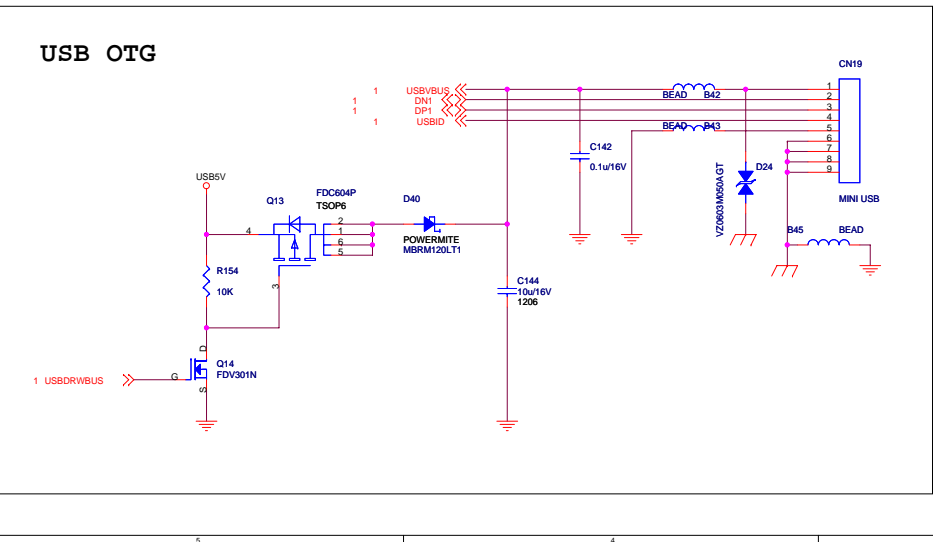
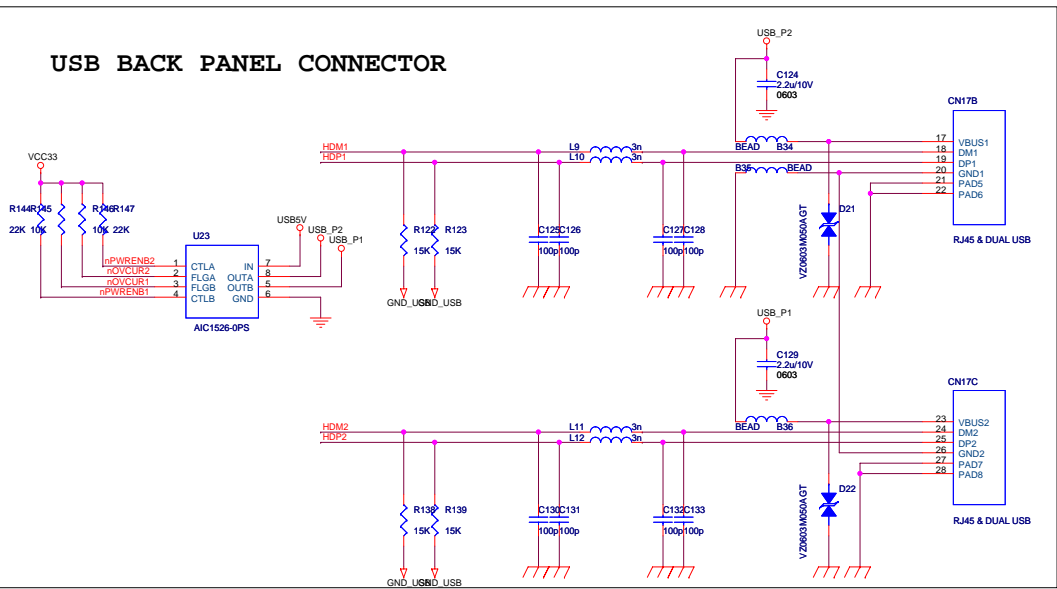
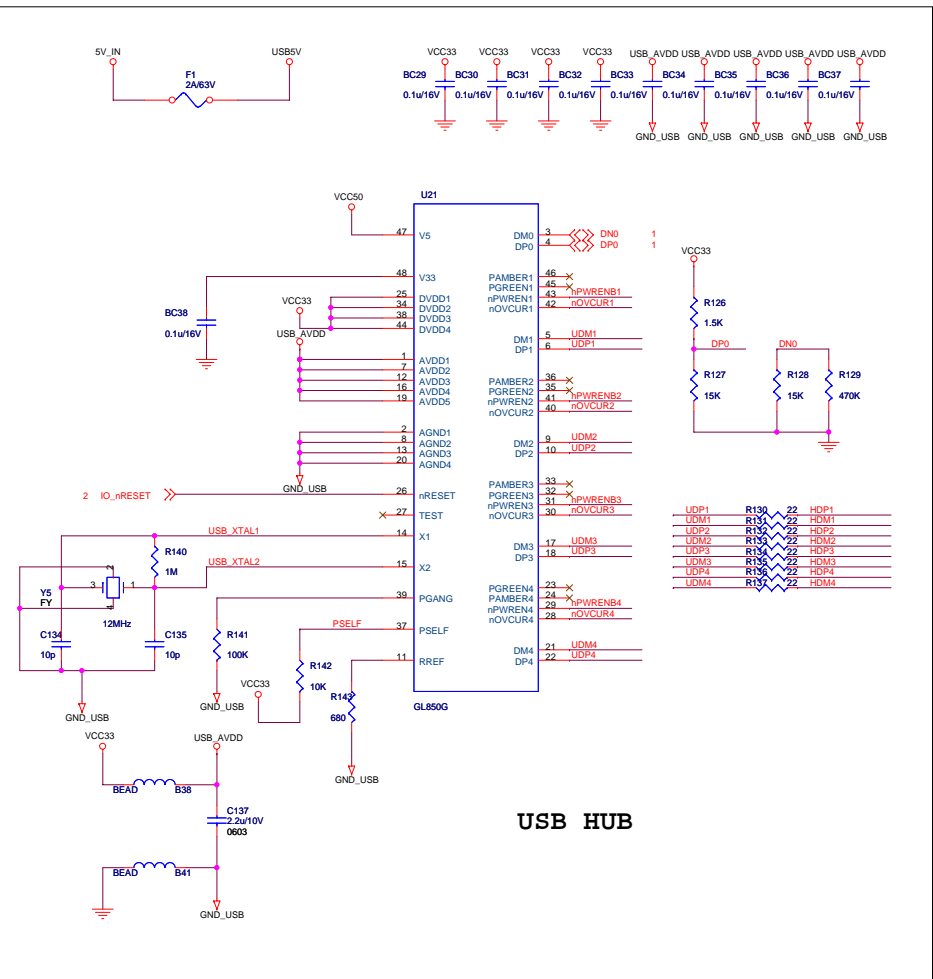


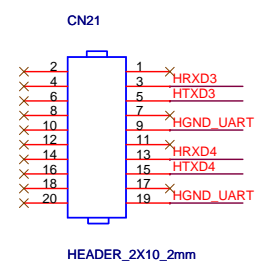
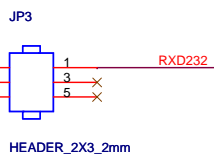
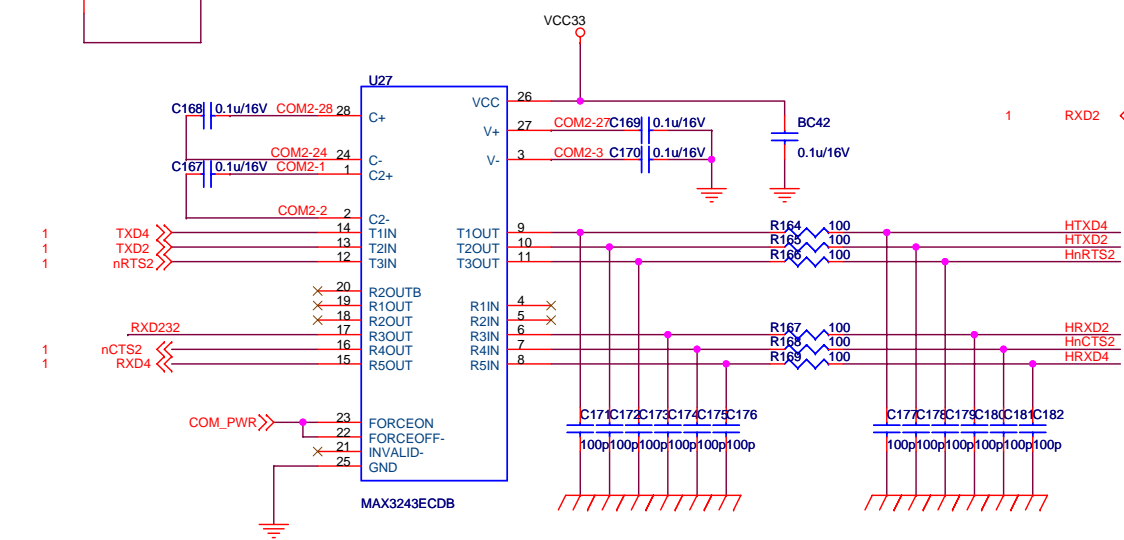
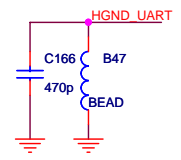
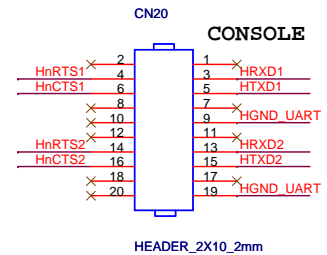
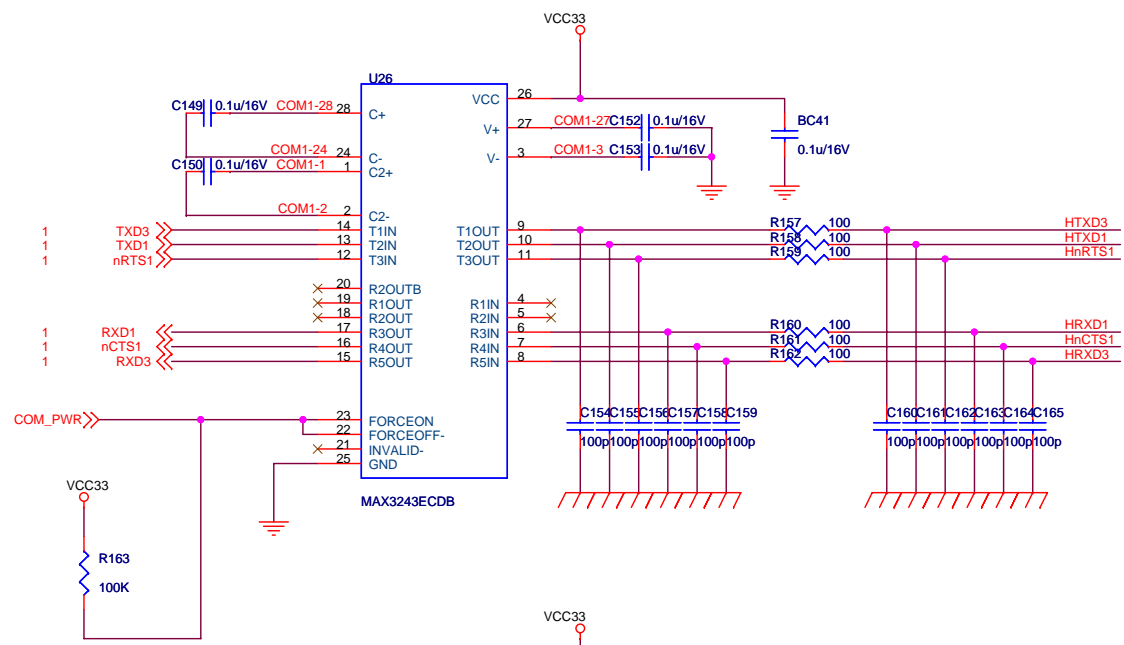
EMBEDIAN, INC.		
Title		
EVK-6410 (MXM-6410 Evaluation Board)		
Size	Document Number	Rev
A	TV OUT	A
Date:	Thursday, December 11, 2008	Sheet 6 of 10



18 BIT LVDS PANEL CONFIG

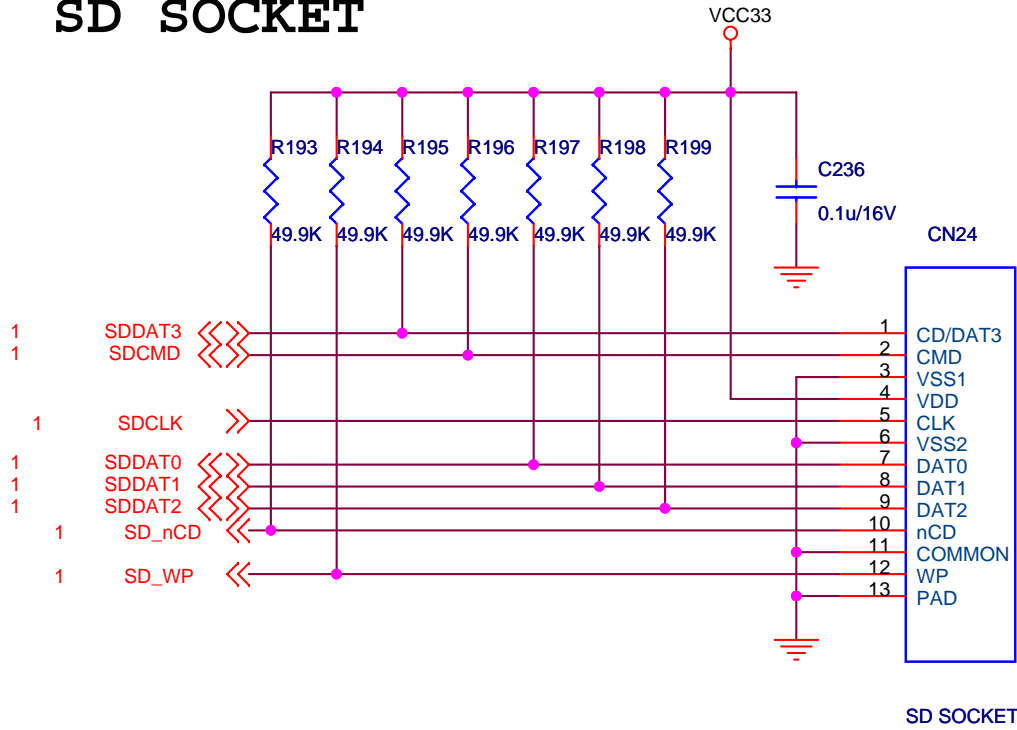




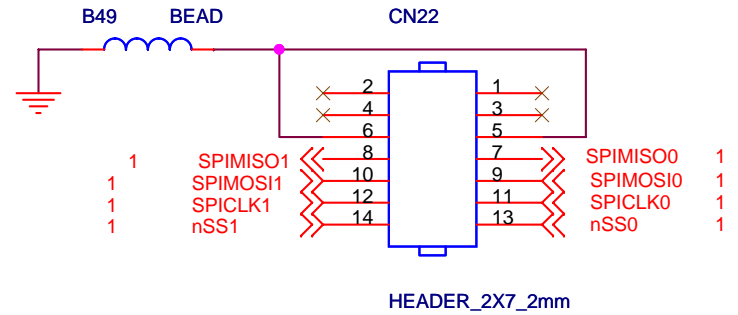


EMBEDIAN, INC.		
Title		
EVK-6410 (MXM-6410 Evaluation Board)		
Size	Document Number	Rev
B	UART	A
Date:	Thursday, December 11, 2008	Sheet 9 of 10

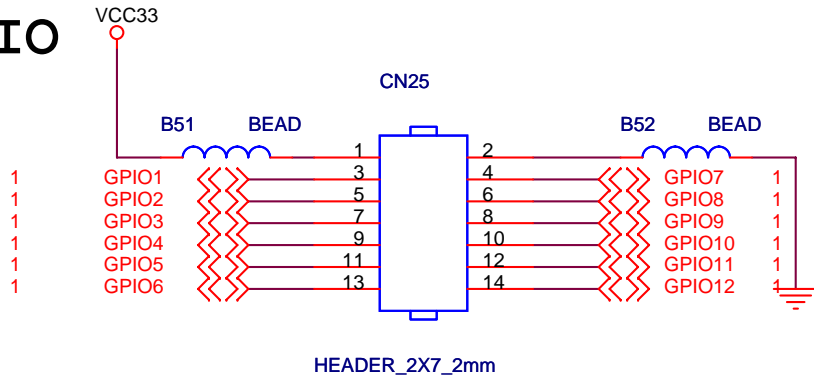
SD SOCKET



SPI INTERFACE



GPIO



EMBEDIAN, INC.

Title

EVK-6410 (MXM-6410 Evaluation Board)

Size

Document Number

Rev

SD & SPI & GPIO

Date:

Thursday, December 11, 2008

Sheet

10

of

10

A

Rev

A