
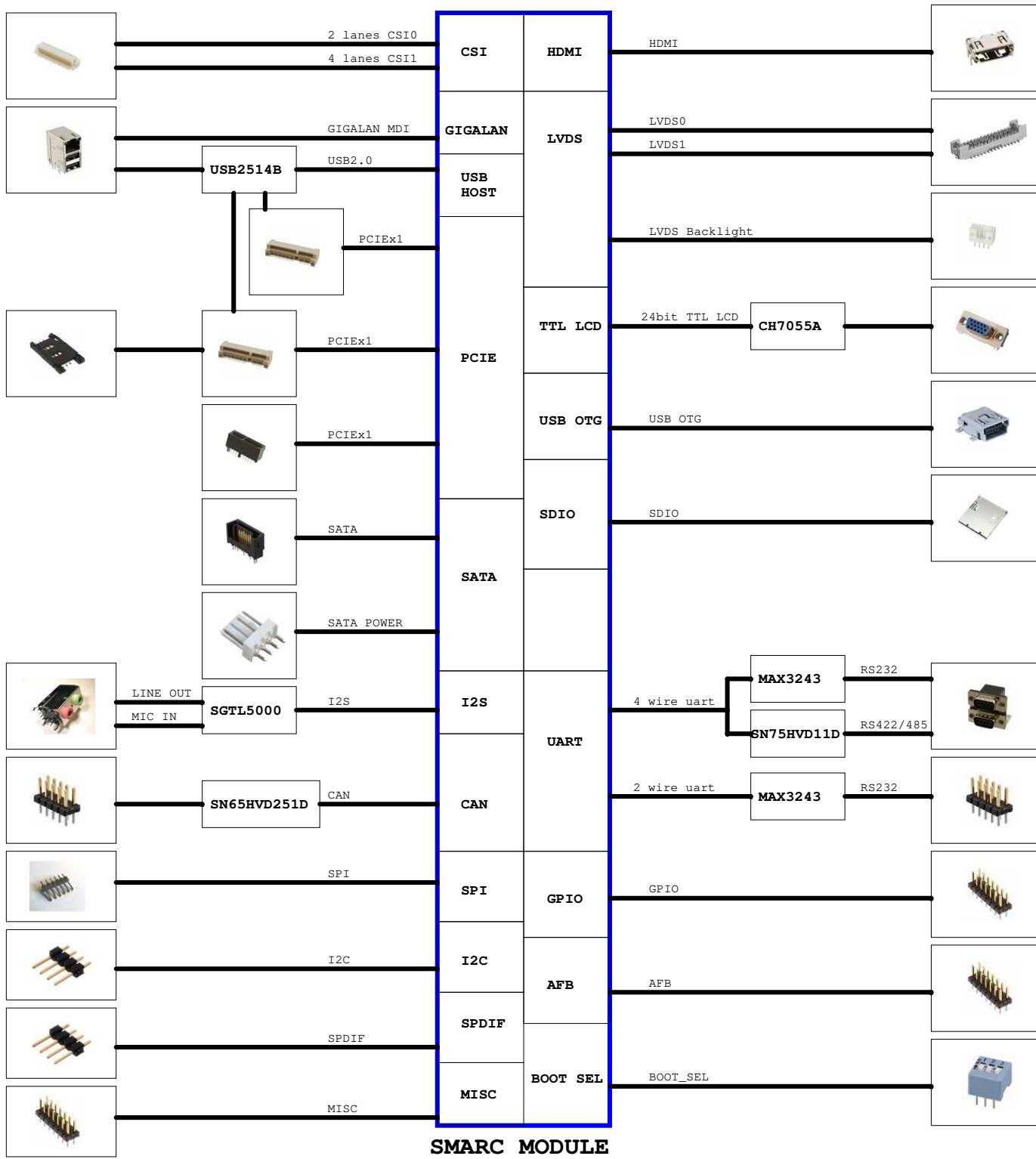
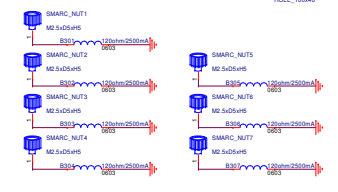
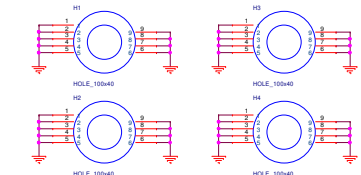
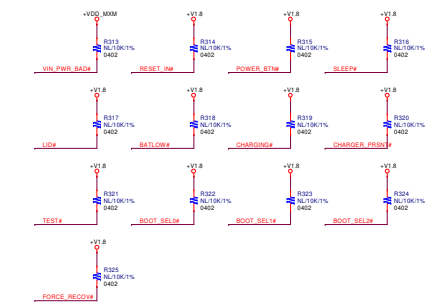
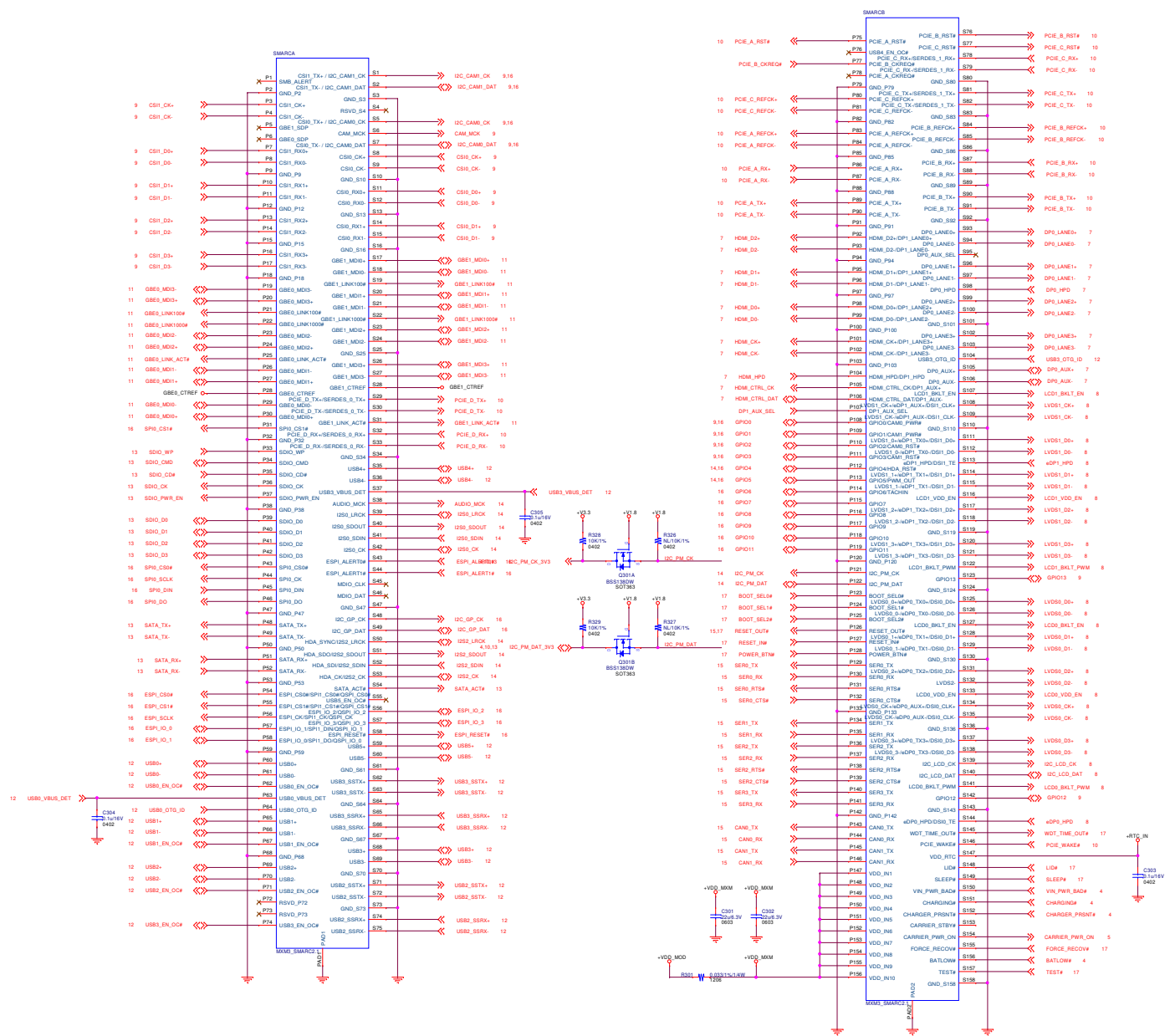


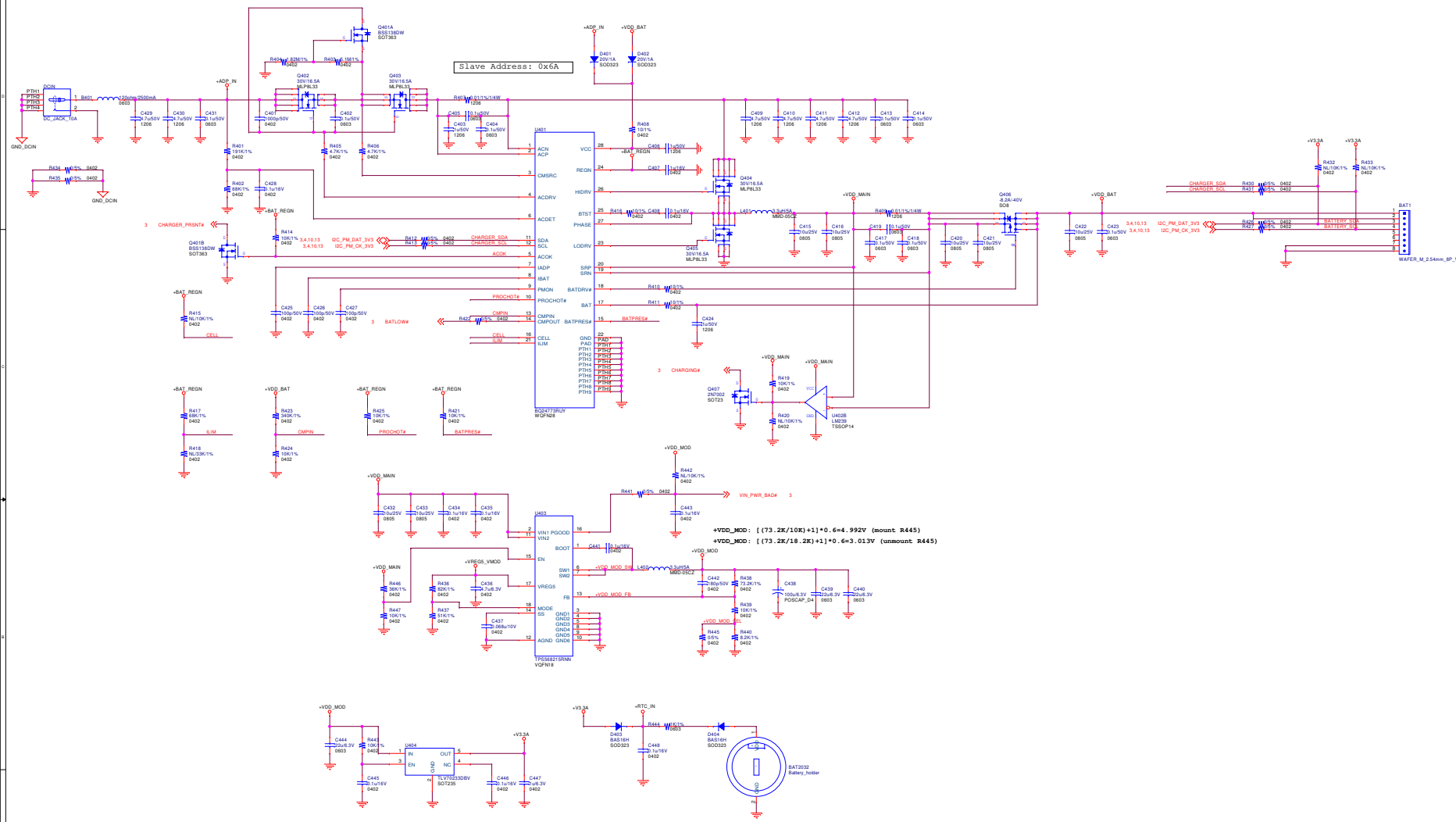
- 01_COVER_PAGE
- 02_BLOCK DIAGRAM
- 03_SMARC MXM3 Connector
- 04_VIN, SMART Charger & VDD_MOD
- 05_+V1.8, +V3.3
- 06_+V5, +V12
- 07_HDMI, DP
- 08_LVDS
- 09_Camera
- 10_PCIE
- 11_LAN
- 12_USB
- 13_SATA, SD and EEPROM
- 14_I2S, HDA and buzzer
- 15_UART, CAN
- 16_GPIO, I2C, SPI
- 17_MISC, Button
- 18_HISTORY

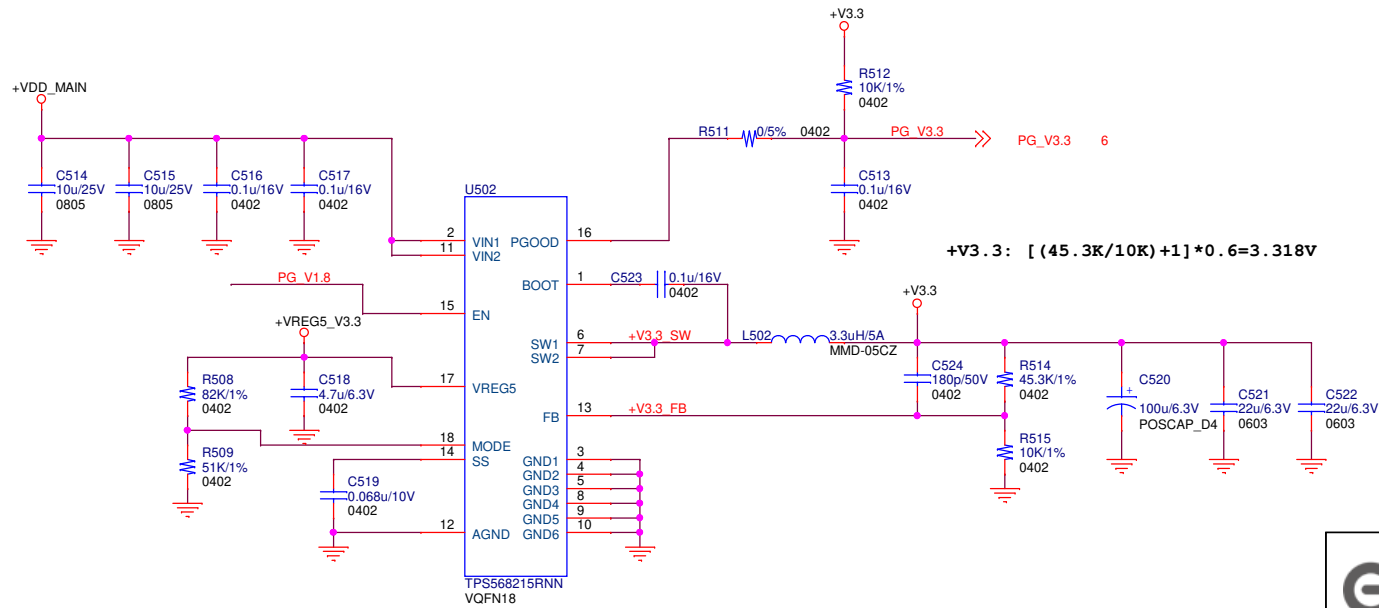
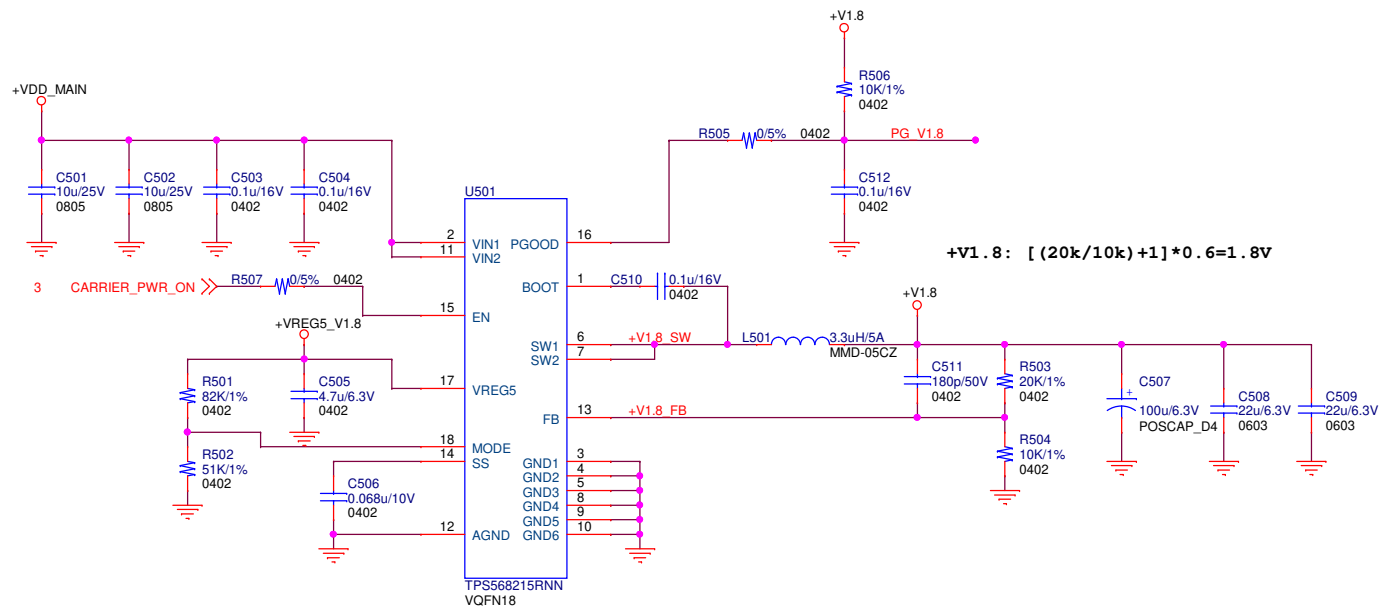
			
Title		01_COVER_PAGE	
Size	Document Number	Rev	
B	EVK-STD-CARRIER-S20	00B0	
Date:	Thursday, January 05, 2023	Sheet	1 of 18



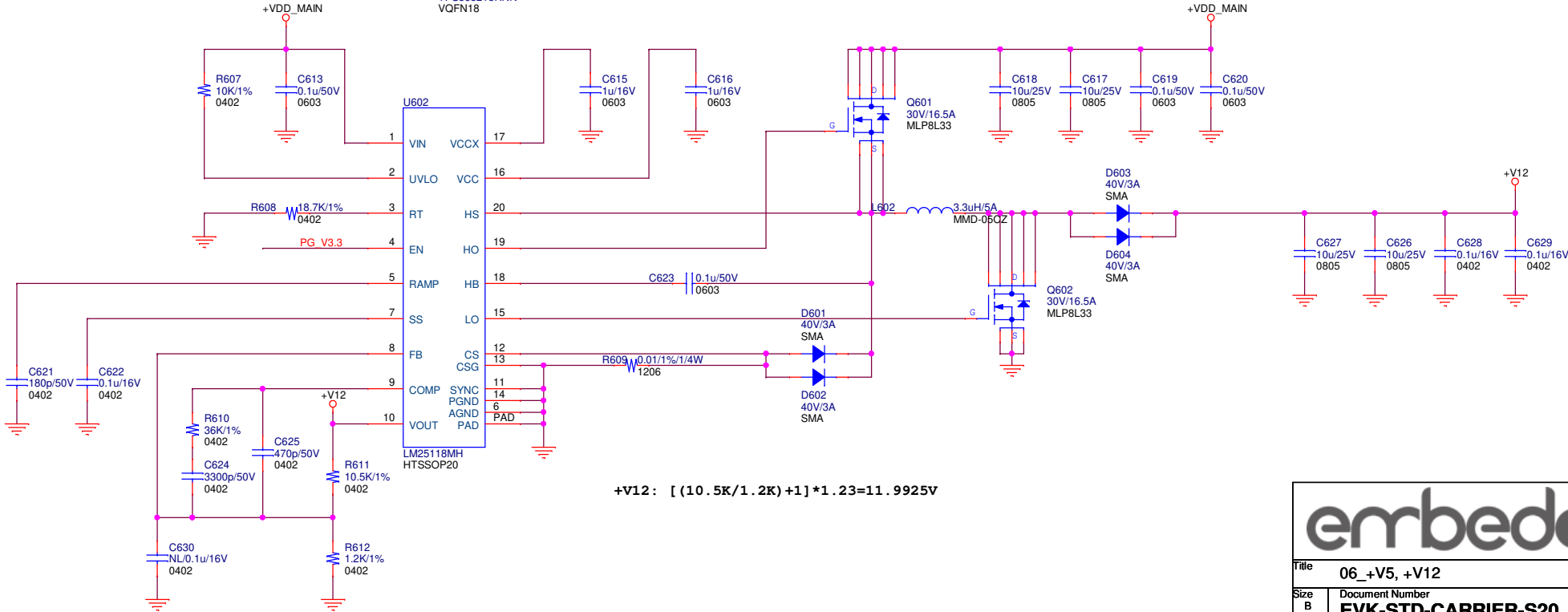
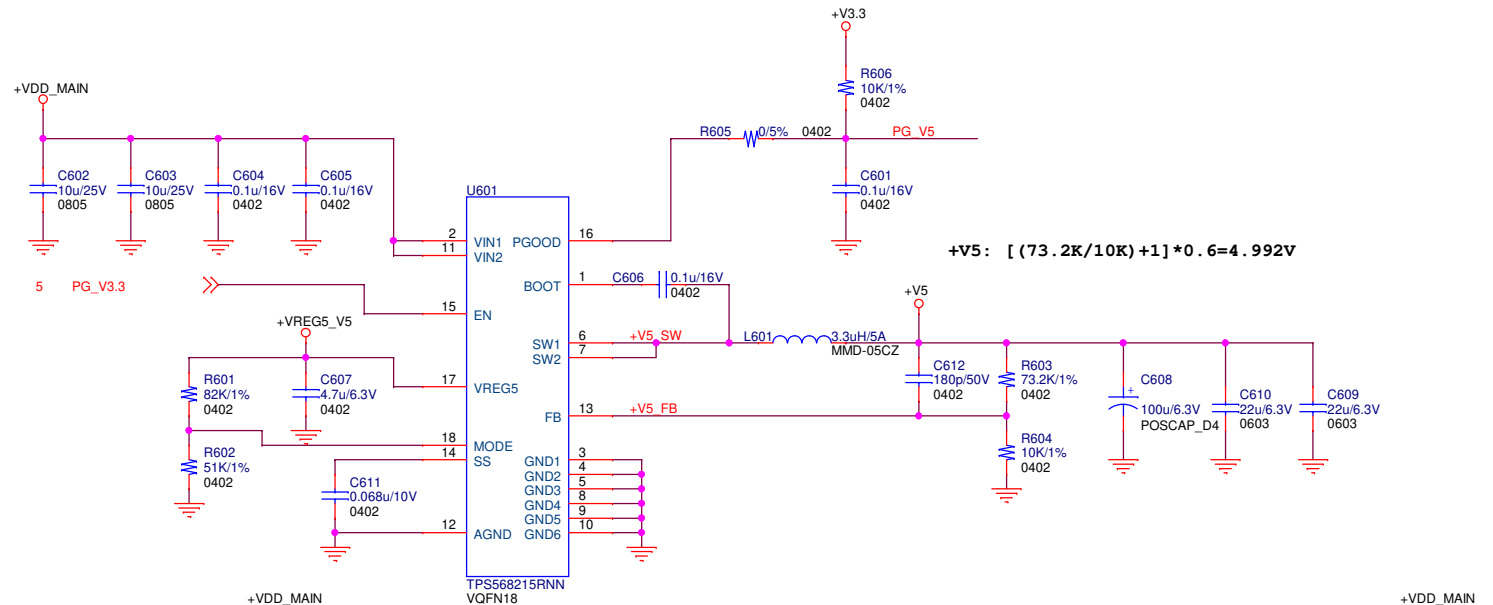
SMARC MODULE







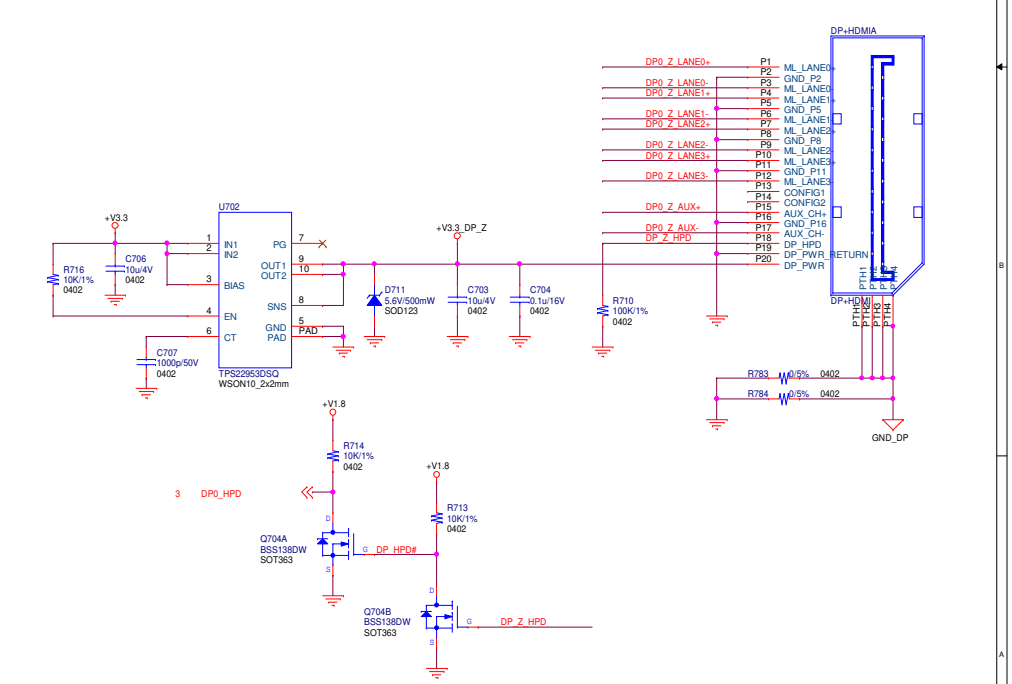
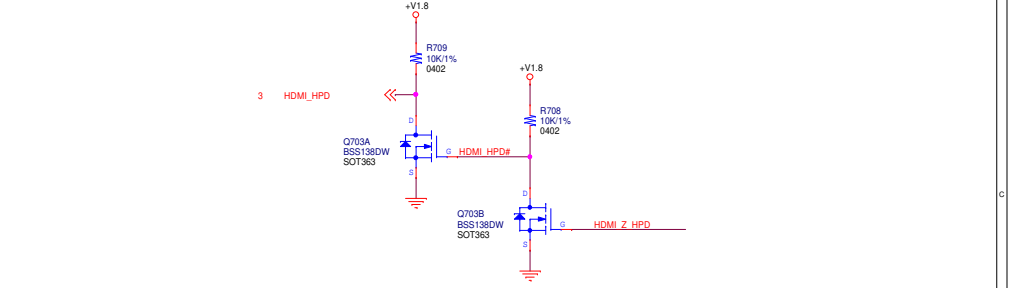
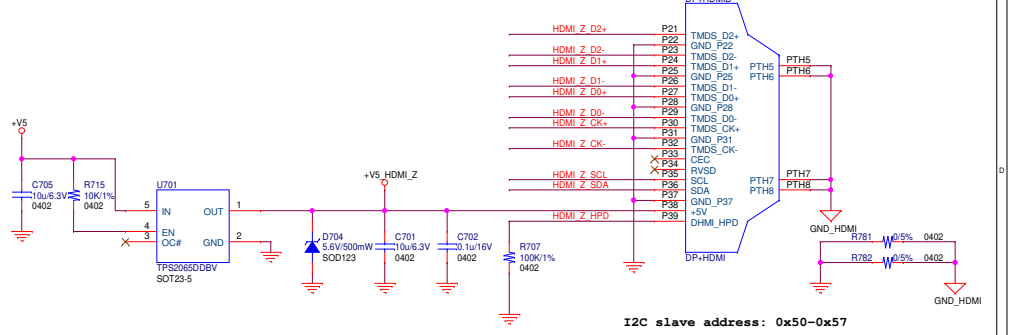
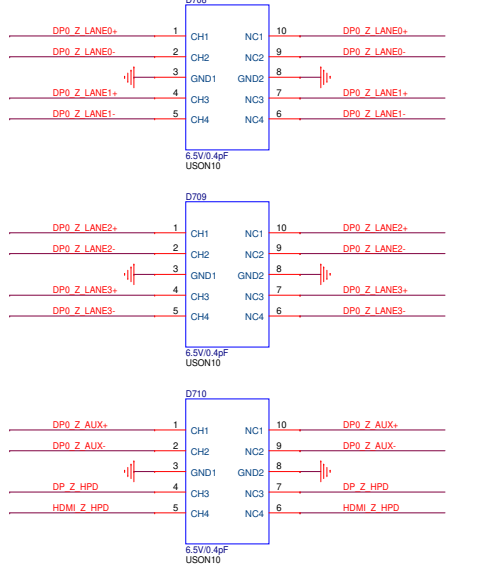
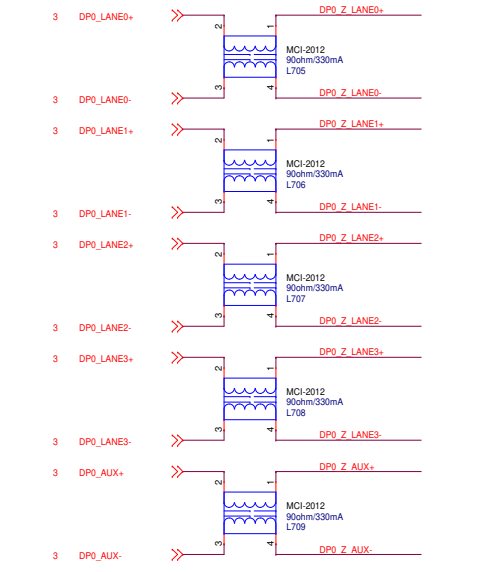
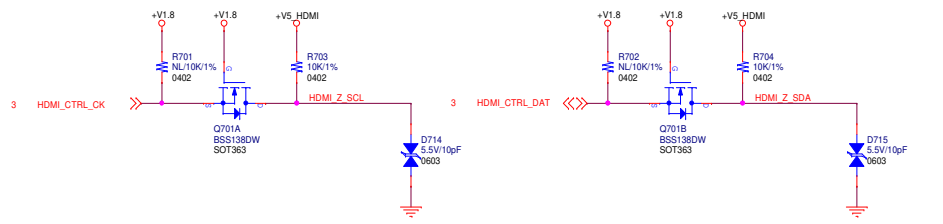
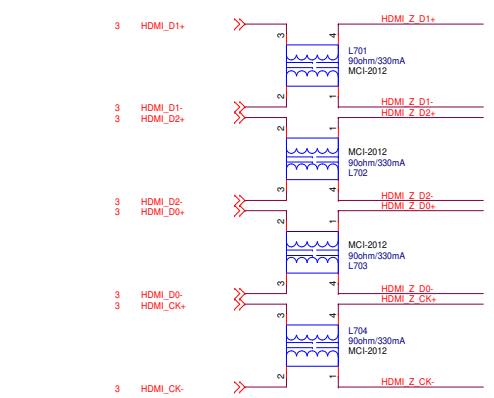
Title		05_+V1.8, +V3.3
Size	Document Number	Rev
B	EVK-STD-CARRIER-S20	00B0
Date:	Thursday, January 05, 2023	Sheet 5 of 18



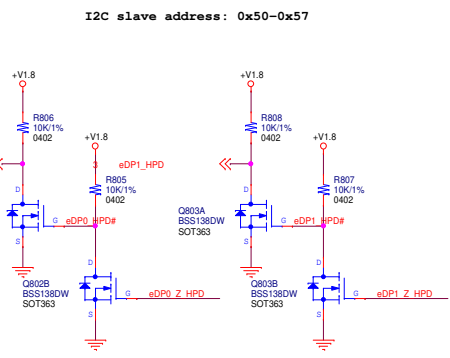
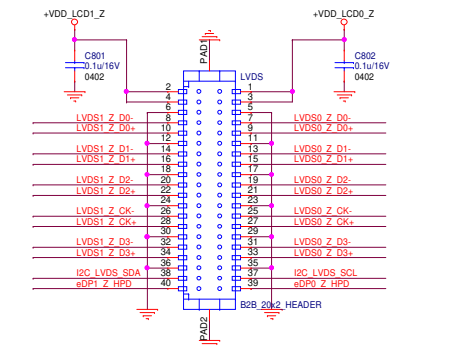
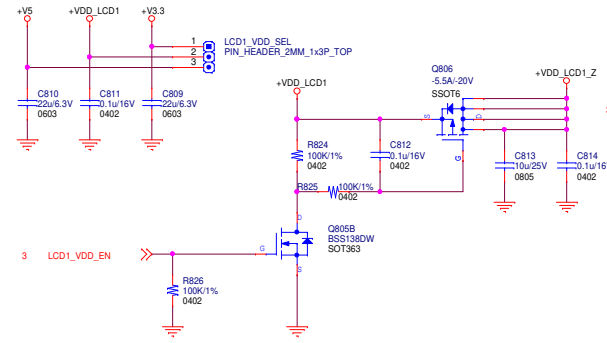
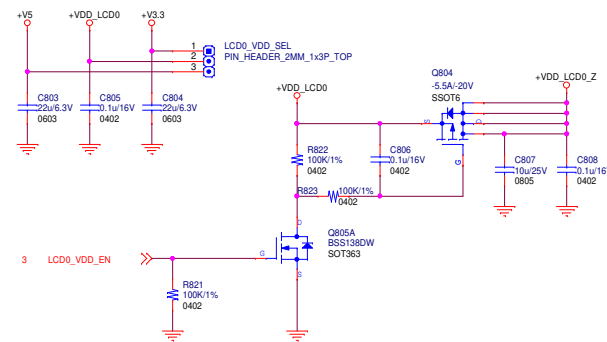
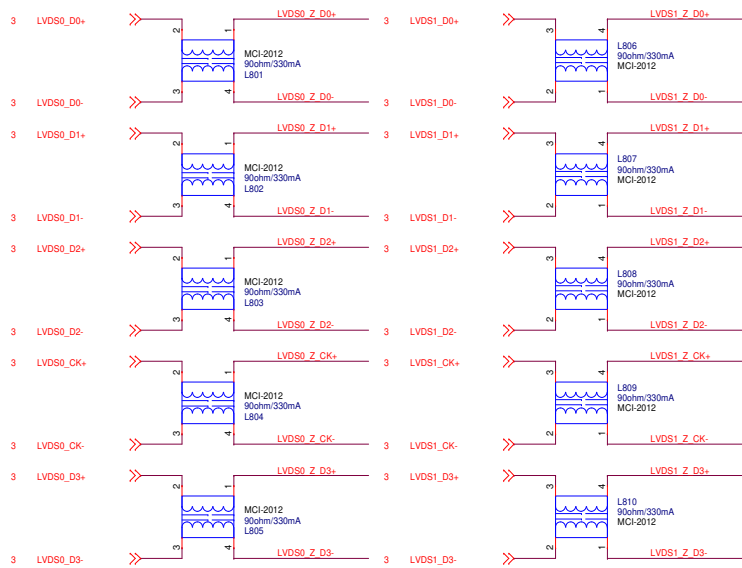
embedan

Title		06_+V5, +V12
Size	Document Number	EVK-STD-CARRIER-S20
Date:	Thursday, January 05, 2023	Sheet 6 of 18

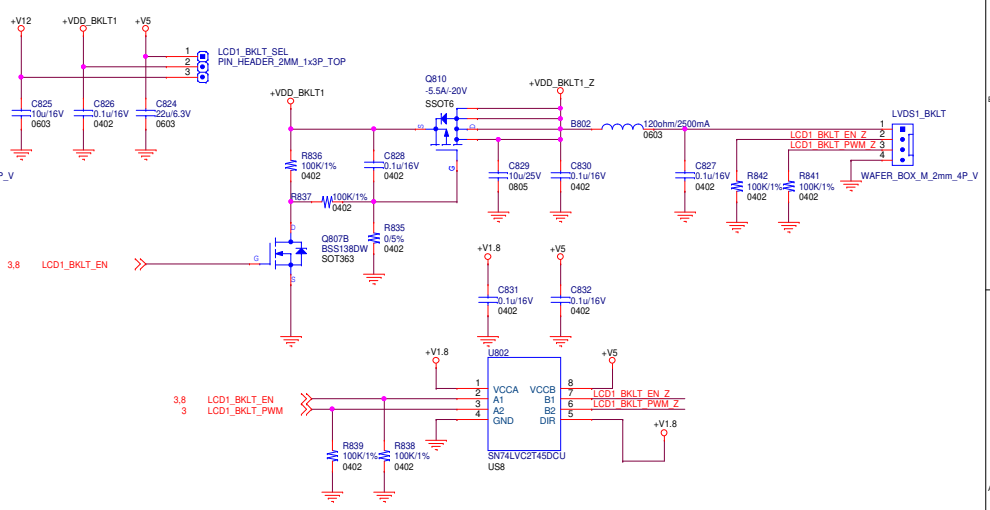
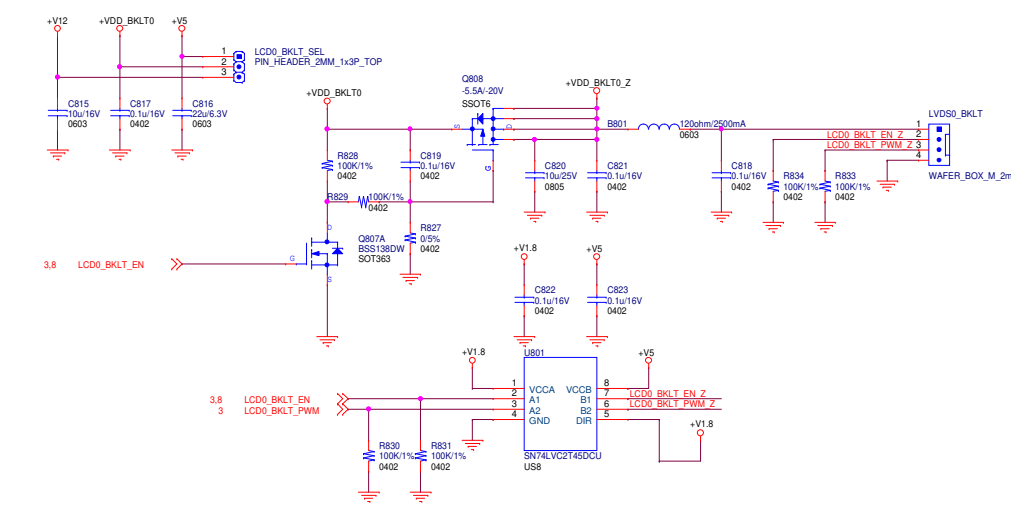
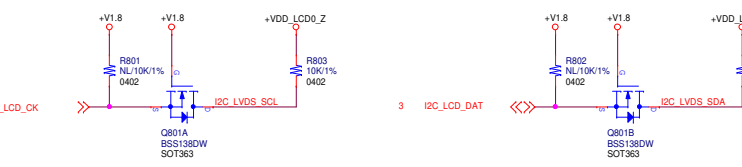
Rev 0080

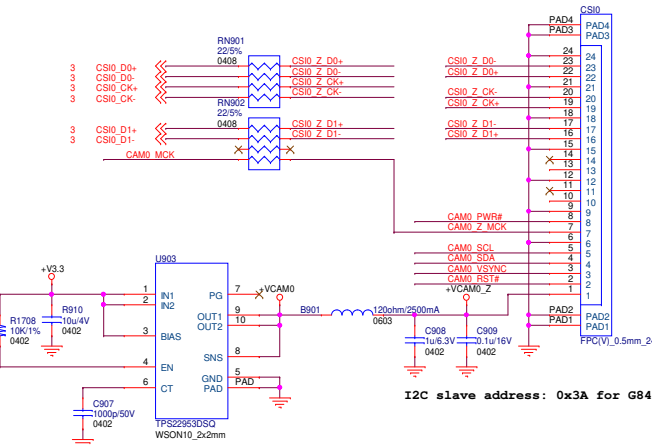
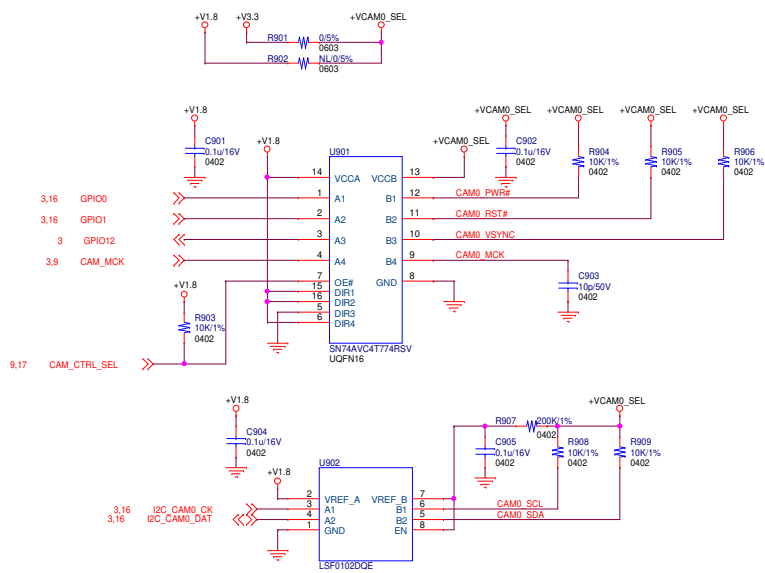


I2C slave address: 0x50-0x57

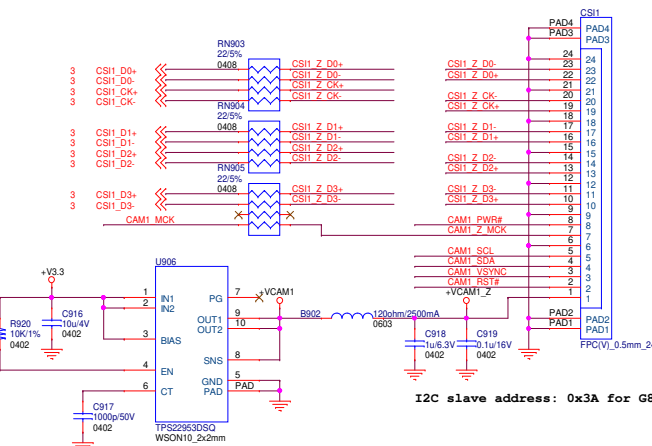
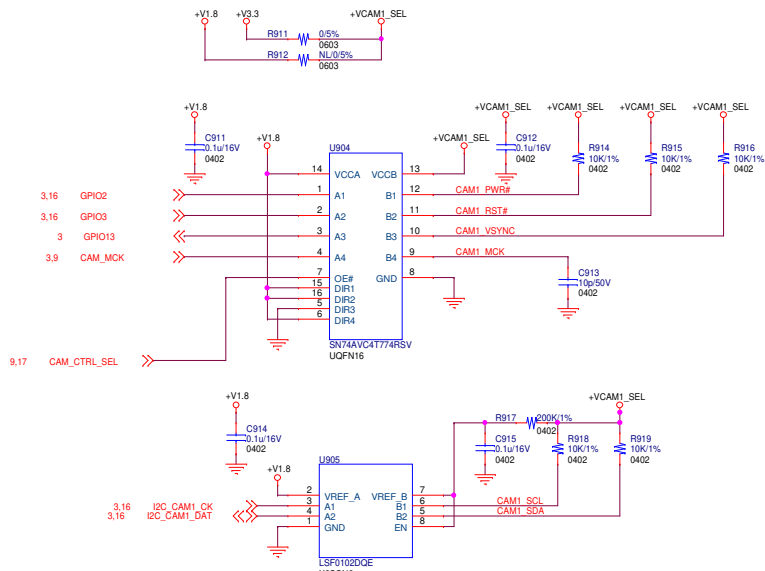


I2C slave address: 0x50-0x57

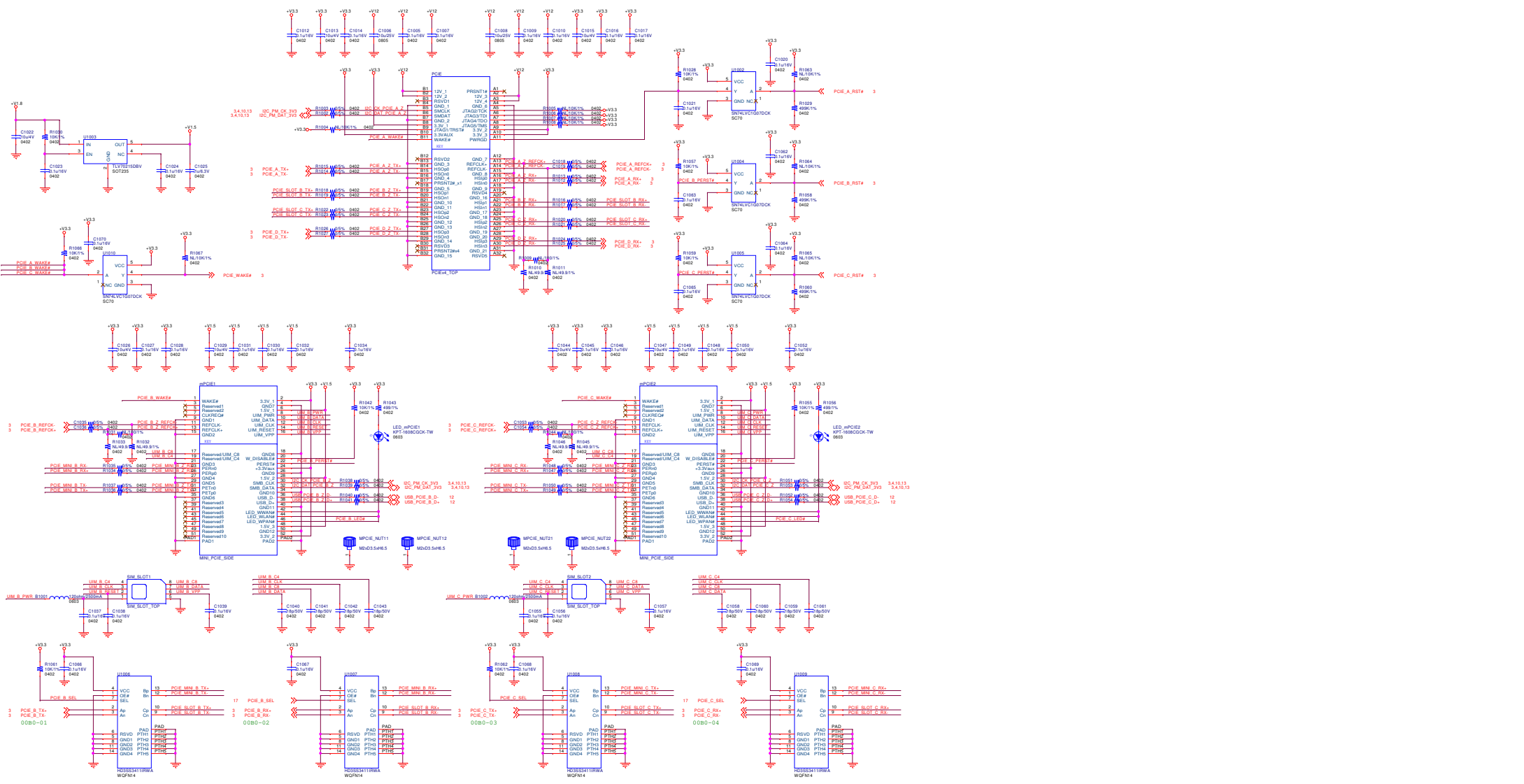


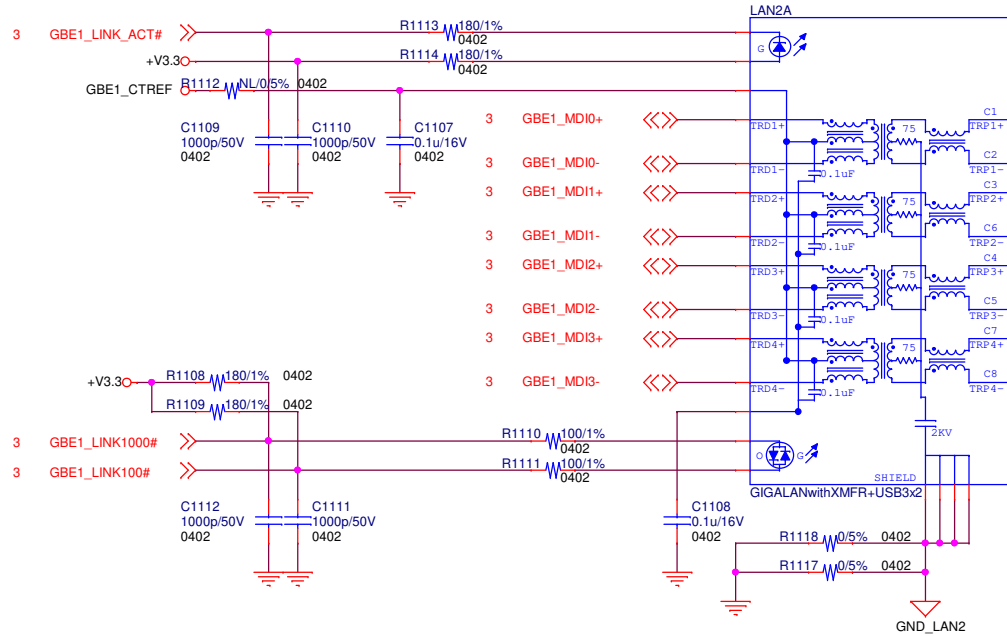
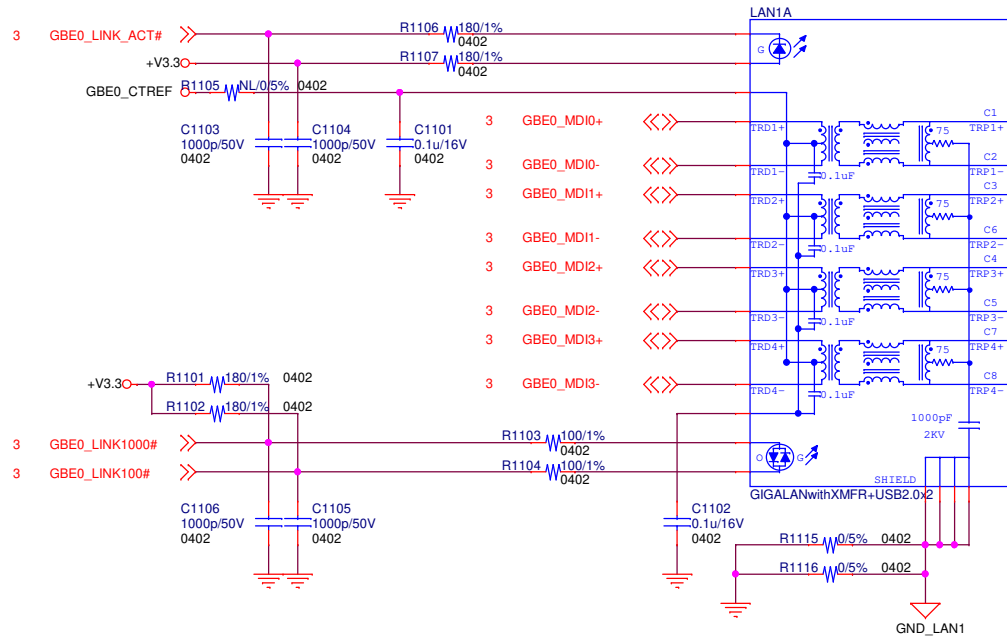


I2C slave address: 0x3A for G840-00180-01

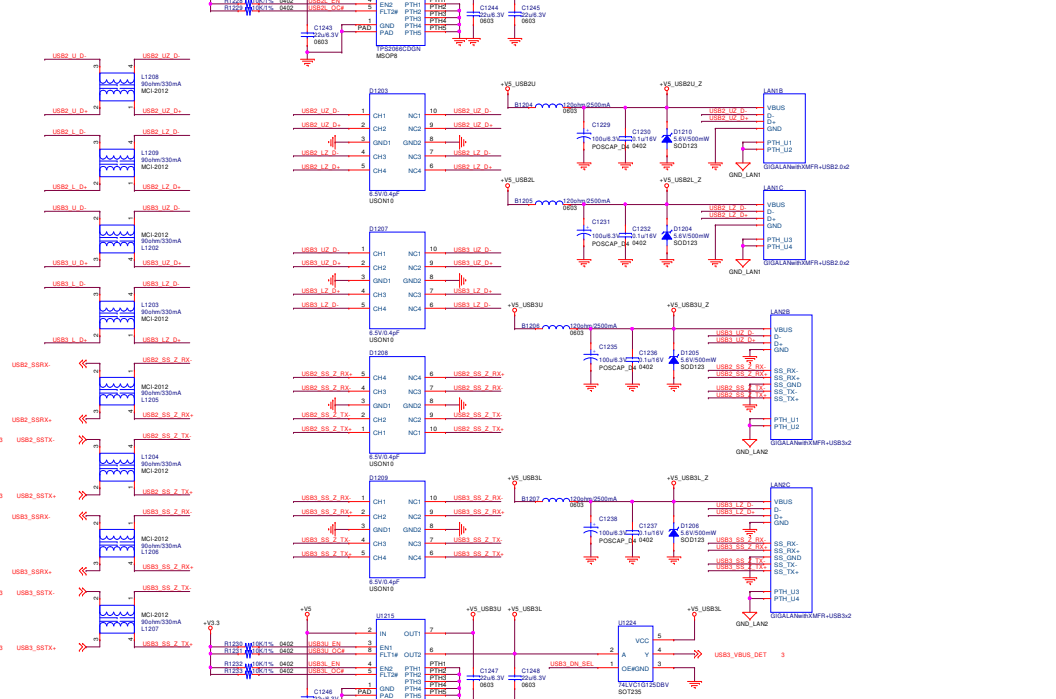
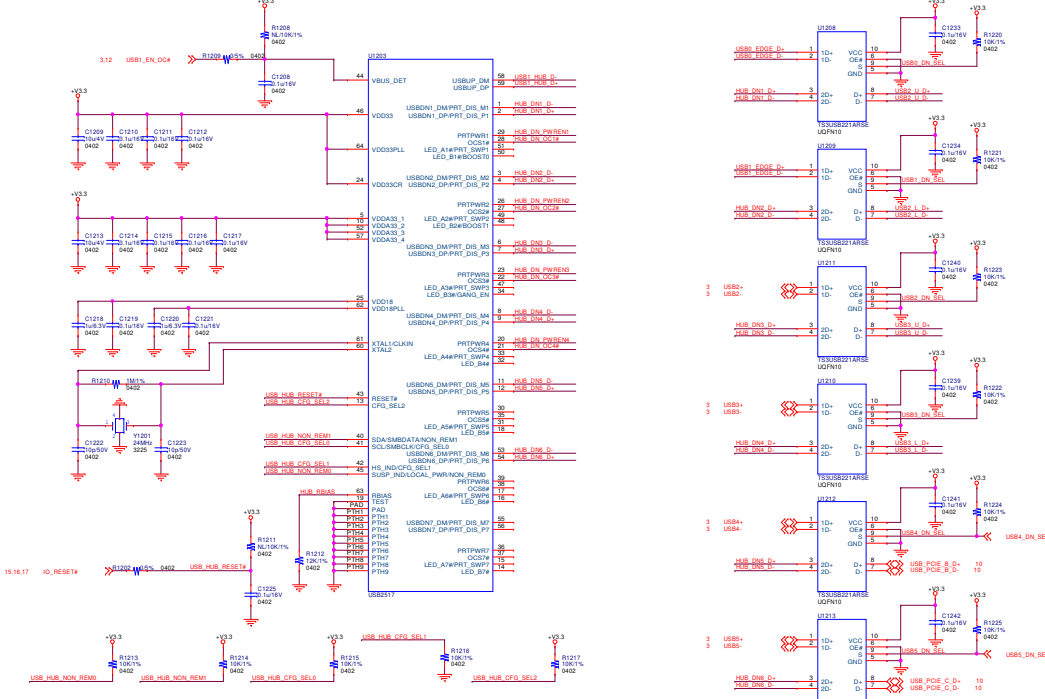
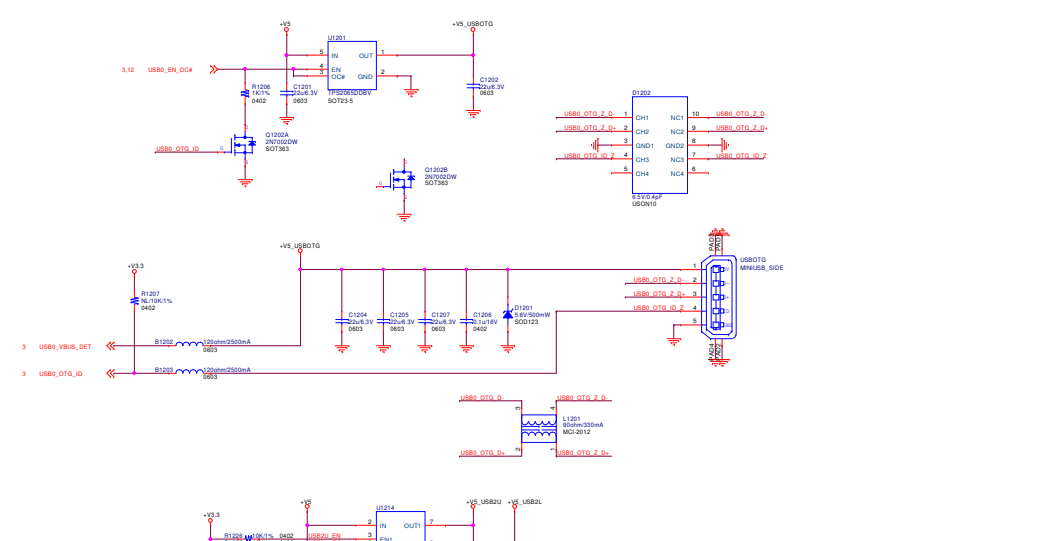
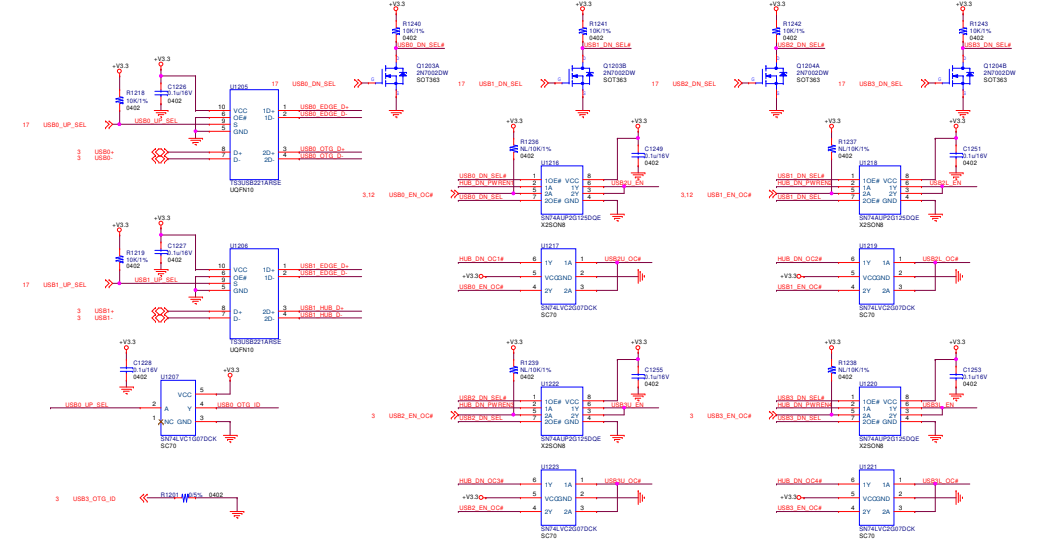


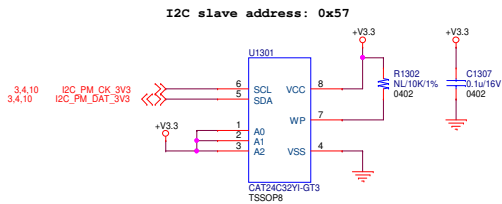
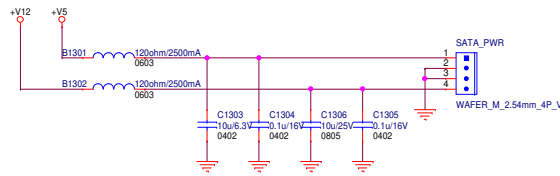
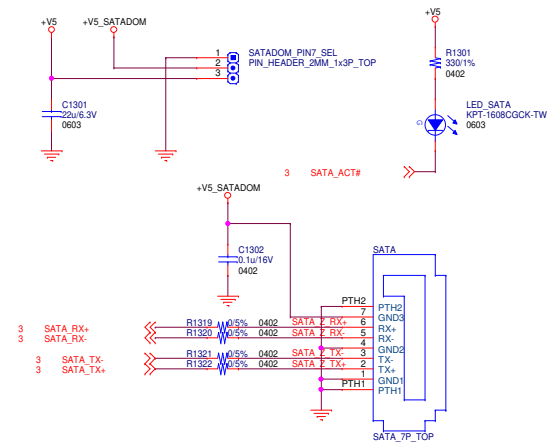
I2C slave address: 0x3A for G840-00180-01



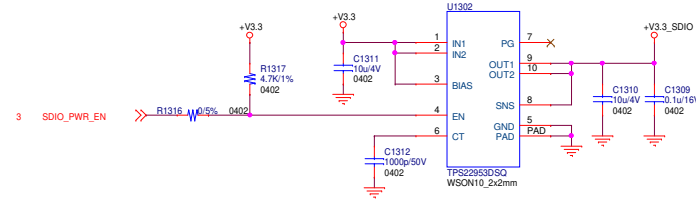
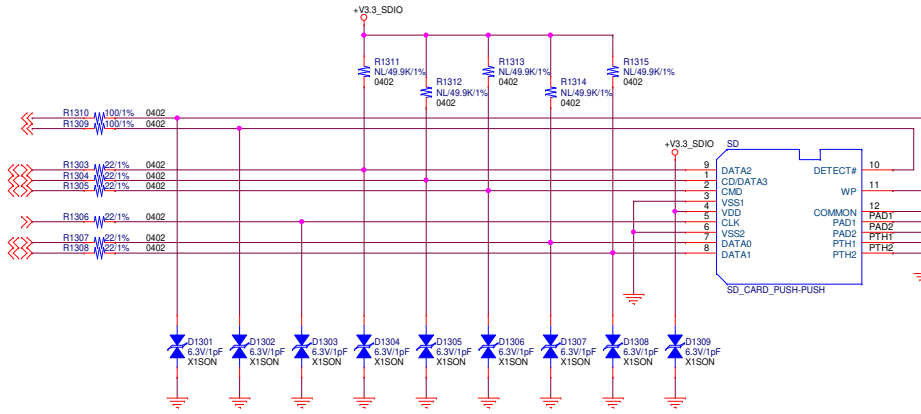


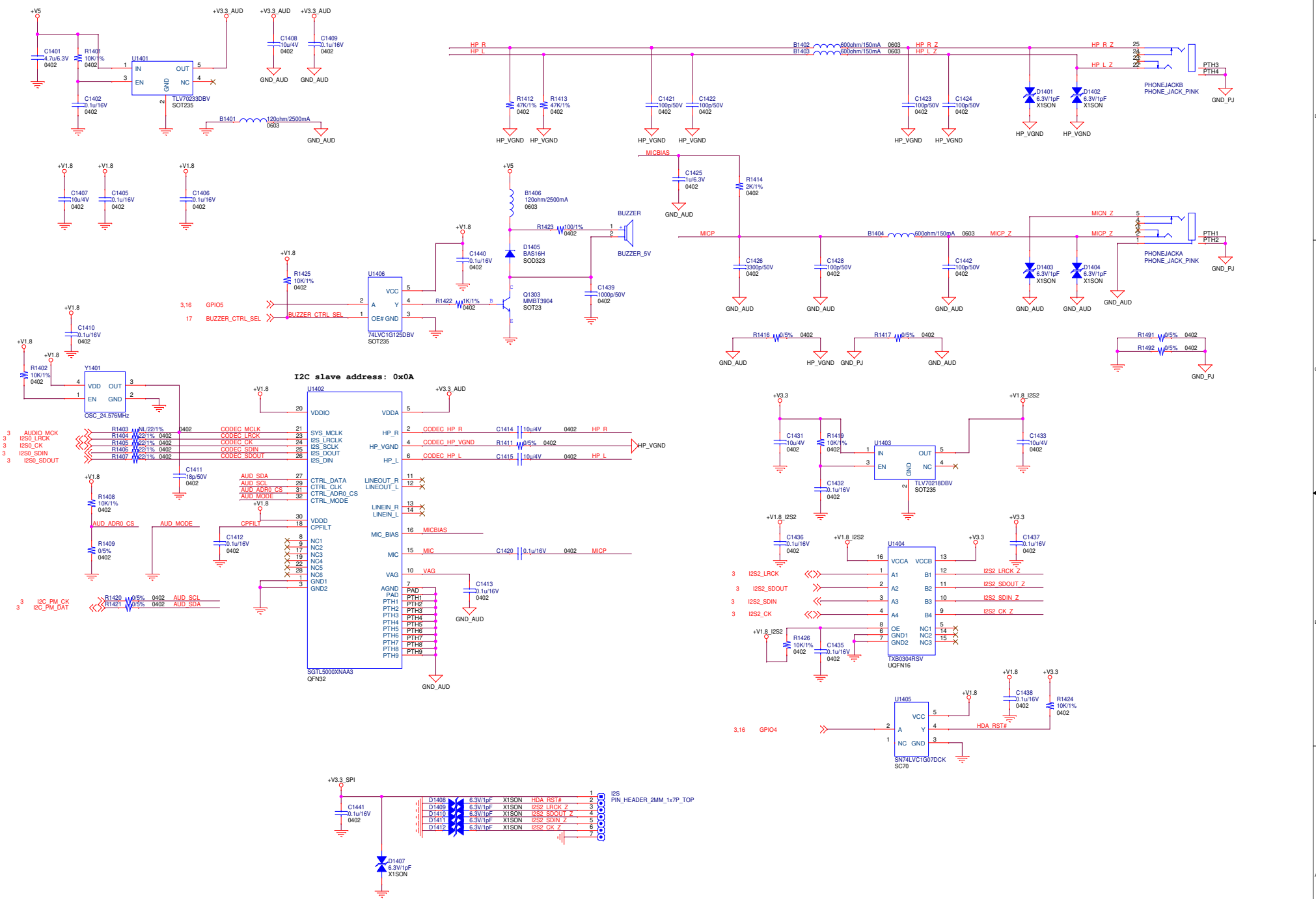
Title		11_LAN
Size	Document Number	Rev
B	EVK-STD-CARRIER-S20	00B0
Date:	Thursday, January 05, 2023	Sheet 11 of 18

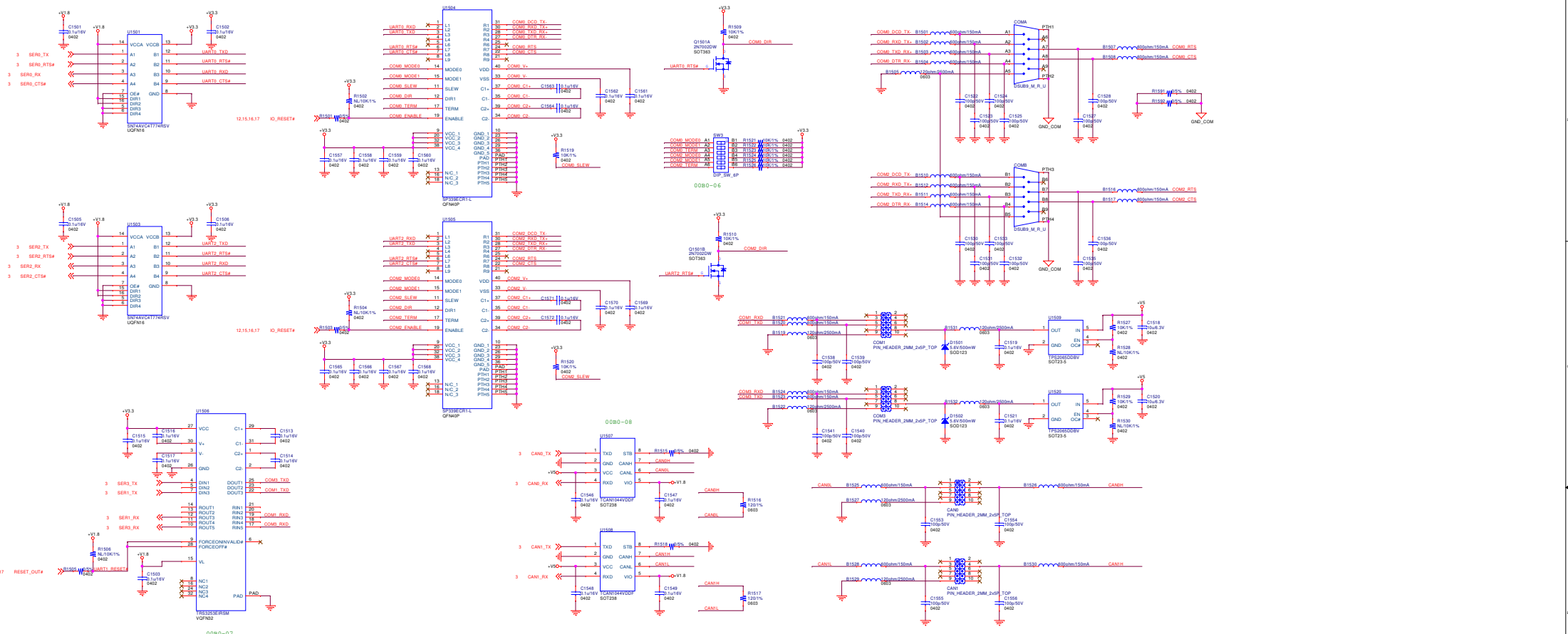


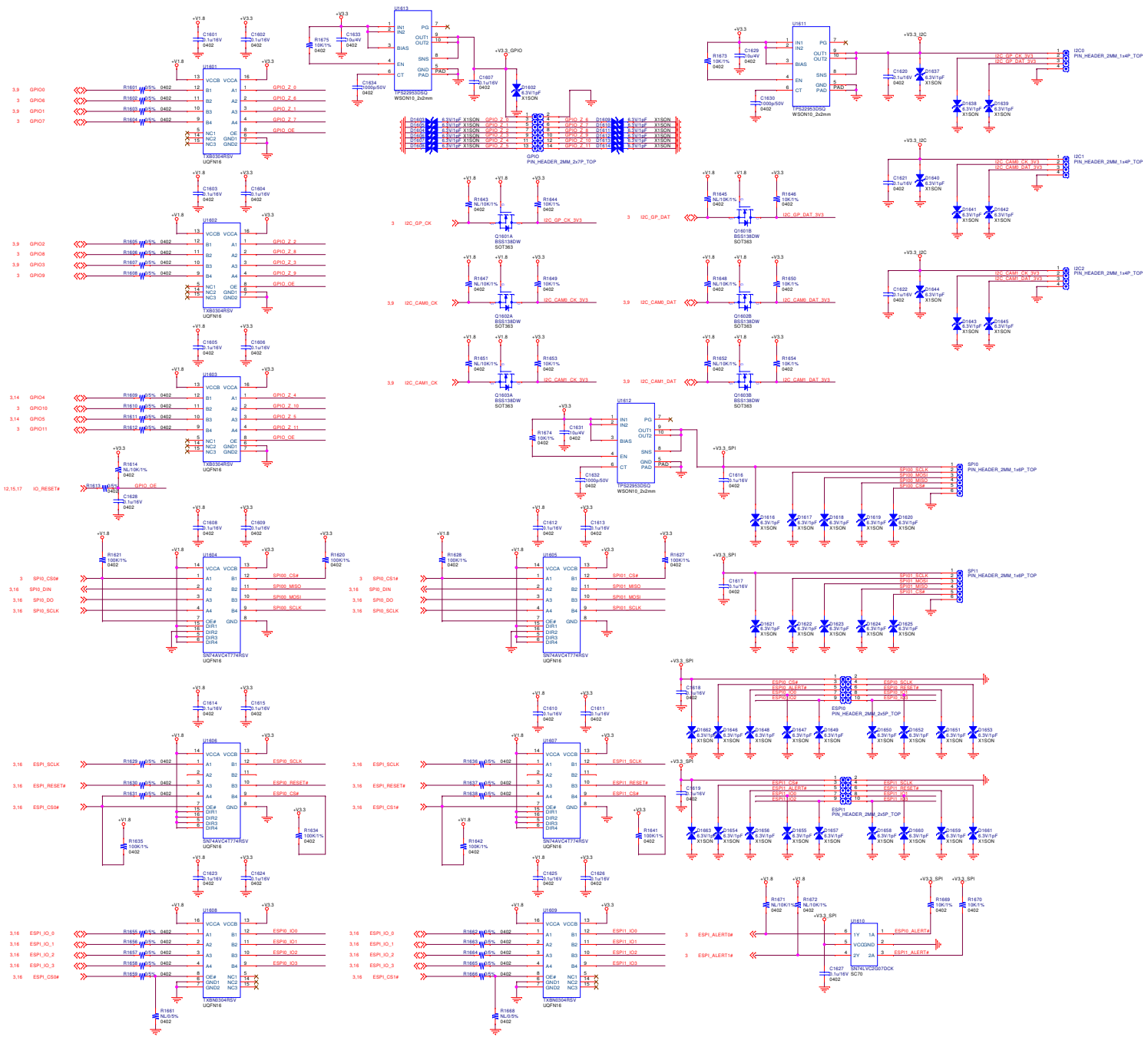


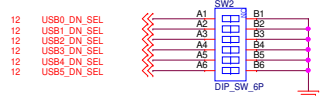
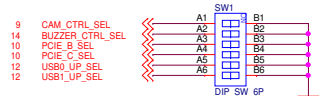
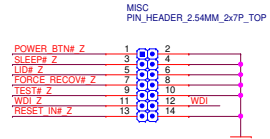
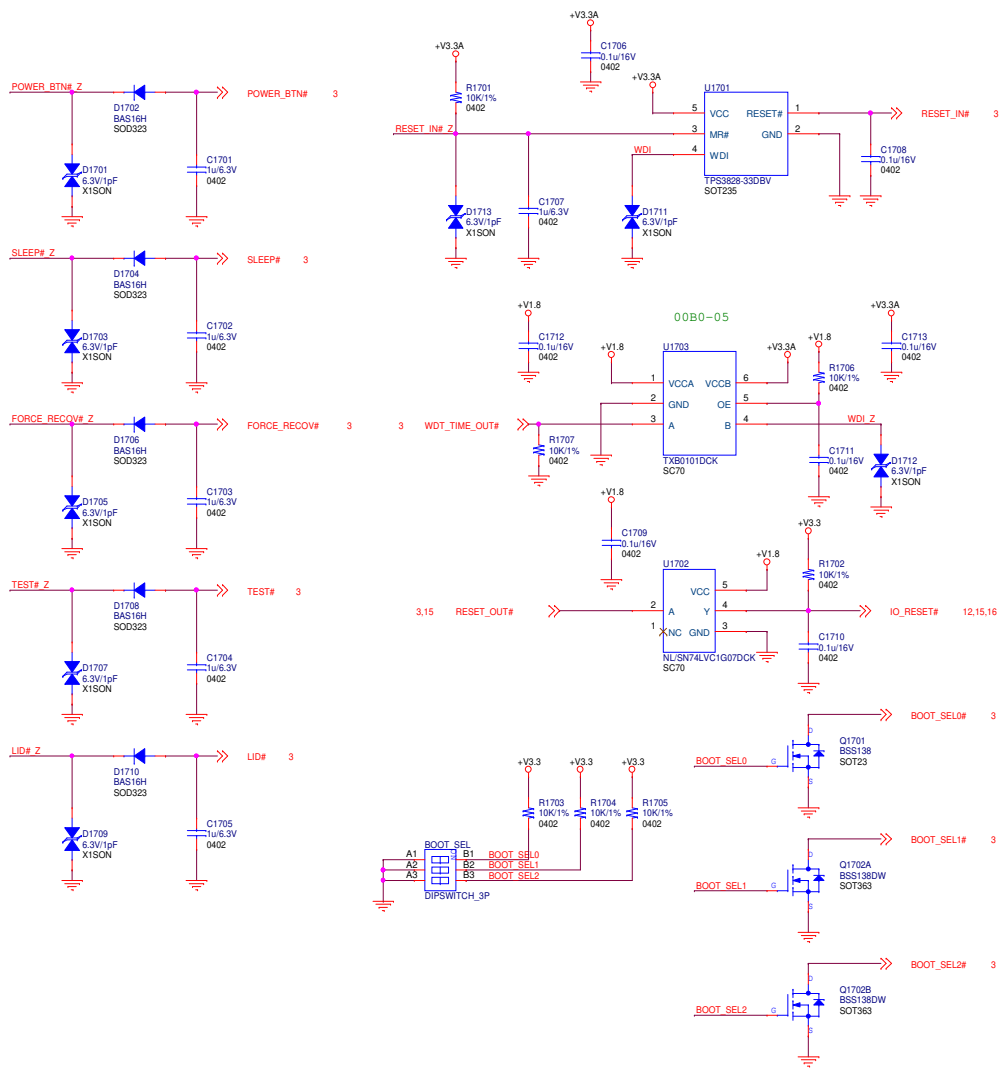
- 3 Sdio_WP
- 3 Sdio_Cd#
- 3 Sdio_D2
- 3 Sdio_D3
- 3 Sdio_Cmd
- 3 Sdio_Ck
- 3 Sdio_D0
- 3 Sdio_D1












00B0:
2020/12/11_ECO: PCIE_x_REFCK+/- route to connector directly.
C1018, C1019, C1035, C1036, C1053, C1054 change to 0ohm resistors.
Unmount R1010, R1011, R1032, R1033, R1045, R1046.

2023/01/05_ECO:
Unmount R1311, R1312, R1313, R1314, R1315.
C701, C705, C1303, C1518, C1520 changes to 10u/6.3V.
C815, C825 changes to 10u/16V.



Title		
18_HISTORY		
Size	Document Number	Rev
C	EVK-STD-CARRIER-S20	00B0
Date:	Thursday, January 05, 2023	Sheet 18 of 18